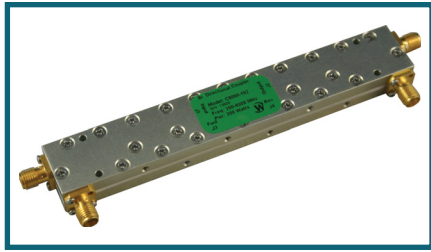




WERLATONE

SINCE 1965

Werlatone, Inc.  
17 Jon Barrett Road  
Patterson, New York 12563  
T 845.278.2220  
F 845.278.3440  
www.werlatone.com



## 20 dB Bi Directional Coupler

### Model C8060

Frequency: 200 - 6000 MHz

Power: 200 W CW

Insertion Loss: 0.35 dB Max. (0.2-2 GHz)

1.0 dB Max. (2-6 GHz)

VSWR: 1.25:1 Max. (0.2-2 GHz)

1.40:1 Max. (2-6 GHz)

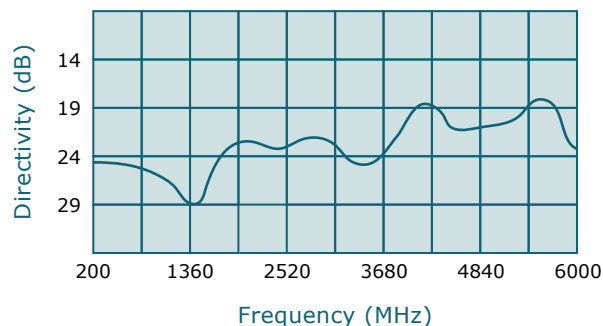
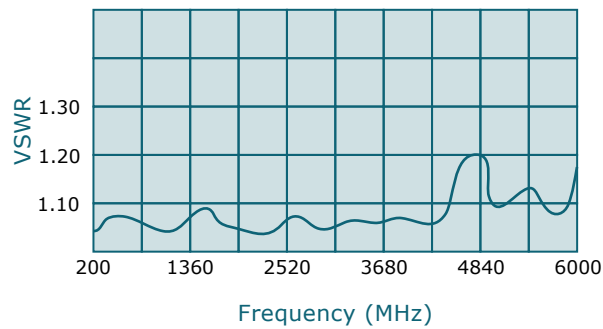
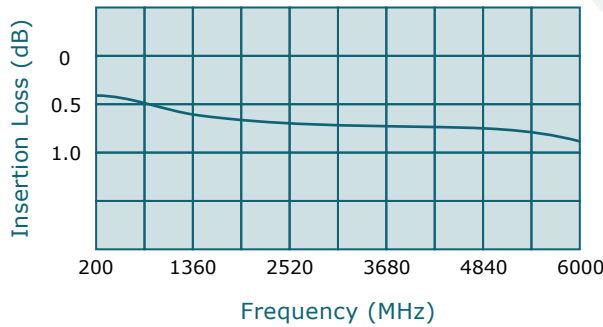
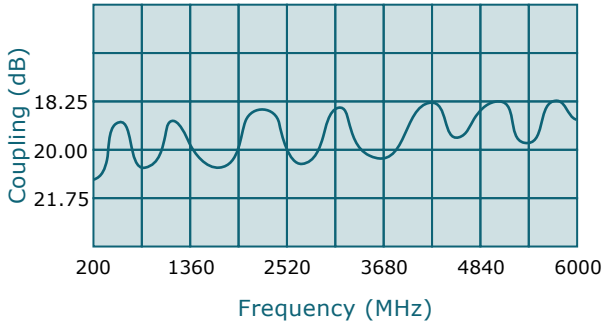
Flatness: +/-1.75 dB Max. (0.2-2 GHz)

+/-2.25 dB Max. (2-6 GHz)

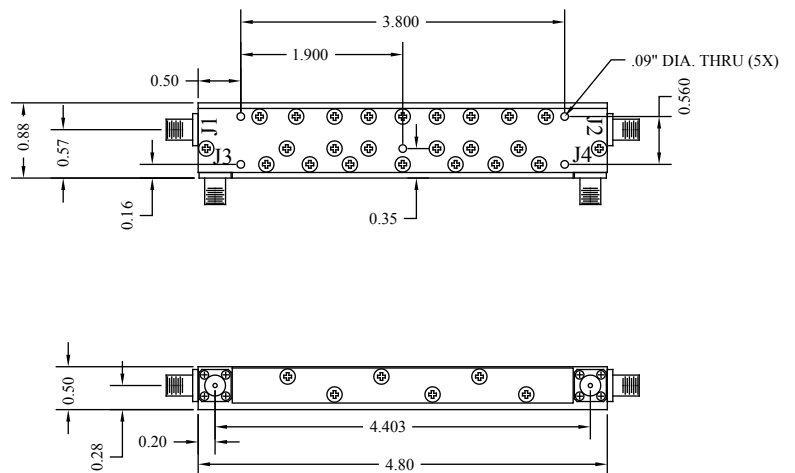
Directivity: 18 dB Min. (0.2-2 GHz)

14 dB Min. (2-6 GHz)

- Test data provided with each unit shipped.



Connector Configuration		
Model	J1,J2 (Mainline)	J3-J4 (Coupled Ports)
C8060-102	SMA	SMA



\*\*Subject to change without notice