



WERLATONE

SINCE 1965

Werlatone, Inc.
2095 Route 22
PO Box 47
Brewster, NY 10509
845.279.6187
FAX.279.7404
www.werlatone.com

20 dB Bi Directional Coupler

Model C8060

Frequency: 200 - 6000 MHz

Power: 200 W CW

Insertion Loss: 0.5 dB Max. (0.2-2 GHz)

1.0 dB Max. (2-6 GHz)

VSWR: 1.25:1 Max. (0.2-2 GHz)

1.40:1 Max. (2-6 GHz)

Flatness: +/-1.75 dB Max. (0.2-2 GHz)

+/-2.25 dB Max. (2-6 GHz)

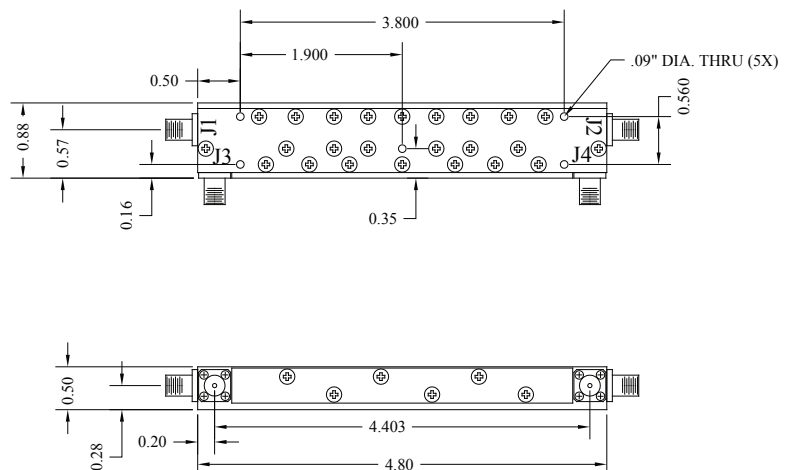
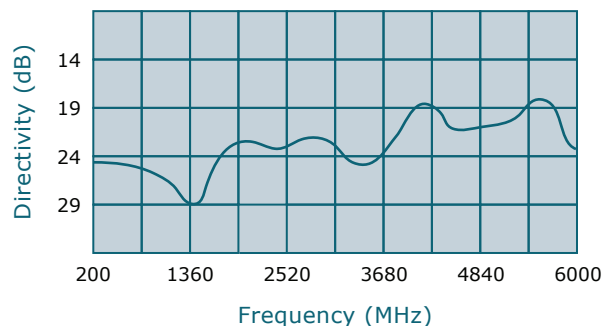
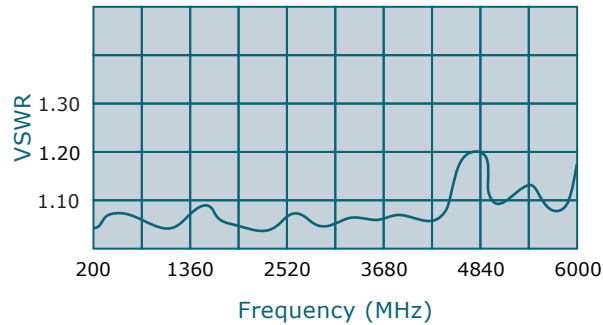
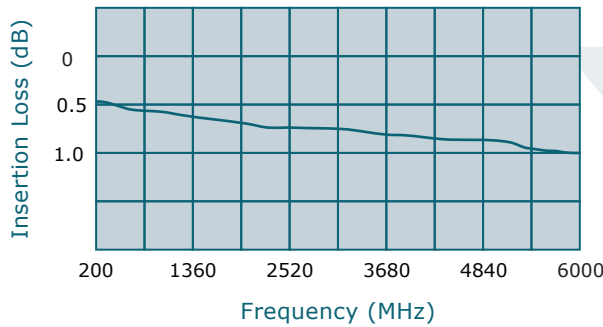
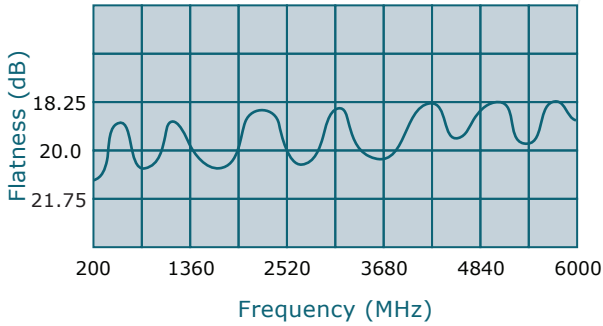
Directivity: 18 dB Min. (0.2-2 GHz)

14 dB Min. (2-6 GHz)

- Test data provided with each unit shipped.

Connectors

Model	Mainline	Coupled Ports
C8060-102	SMA	SMA



high power RF devices