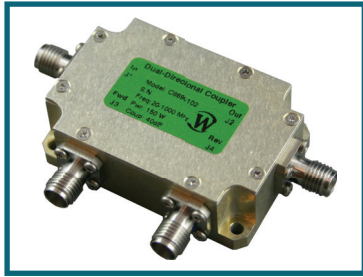




WERLATONE

SINCE 1965

Werlatone, Inc.
17 Jon Barrett Road
Patterson, New York 12563
T 845.278.2220
F 845.278.3440
www.werlatone.com



40 dB Dual Directional Coupler Model C8696

Frequency: 20-1000 MHz

Power: 150 W CW

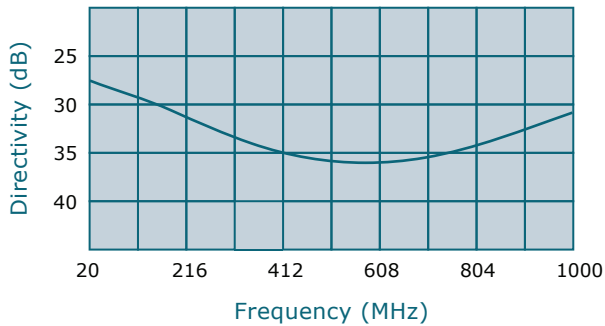
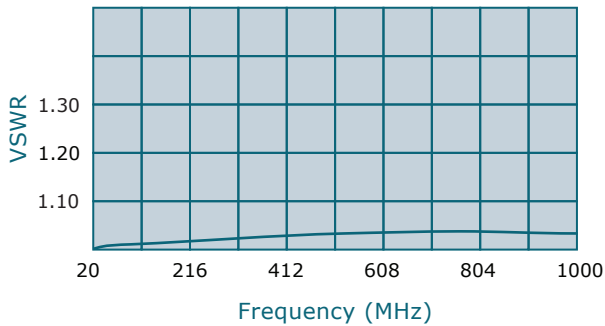
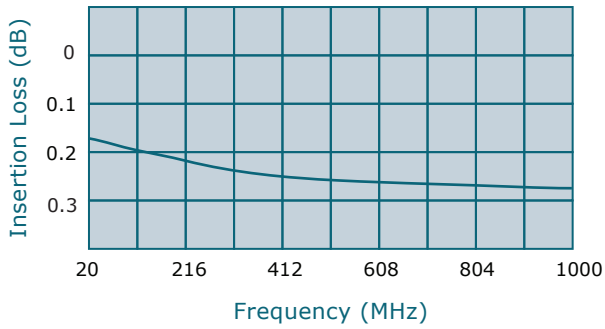
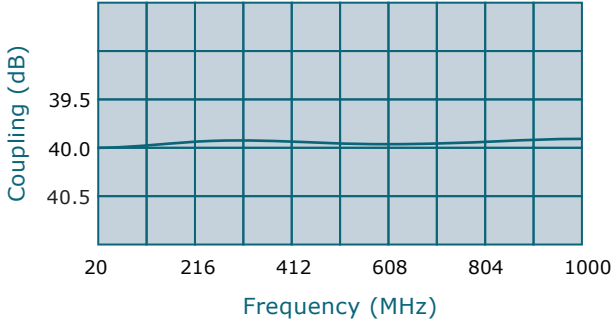
Insertion Loss: 0.35 dB Max.

VSWR: 1.25:1 Max.

Coupling: 40 dB \pm 1.0 dB

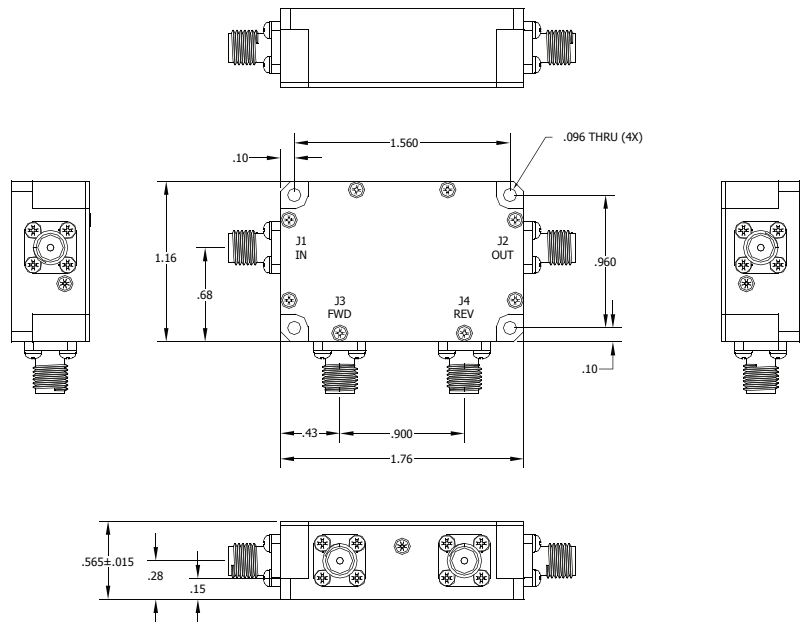
Directivity: 20 dB Min.

Flatness: \pm 0.5 dB Max.



- All specifications guaranteed.
- Test data provided with each unit shipped.

Connector Configuration		
Model	J1,J2 (Mainline)	J3,J4 (Coupled Ports)
C8696-102	SMA	SMA



**Subject to change without notice

high power RF devices