



**WERLATONE**

SINCE 1965

Werlatone, Inc.  
 17 Jon Barrett Road  
 Patterson, New York 12563  
 T 845.278.2220  
 F 845.278.3440  
 www.werlatone.com



## 4-Way Combiner/Divider Model D9048

Frequency: 20-1000 MHz

Power: 500 W CW

Insertion Loss: 0.6 dB Max.

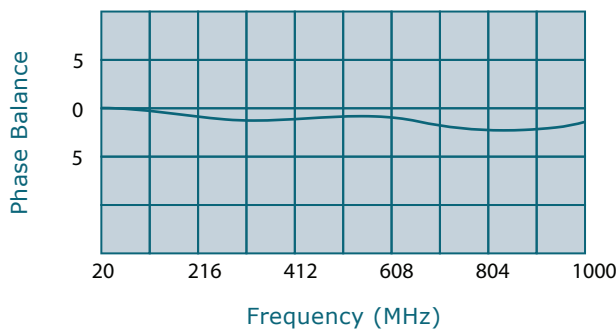
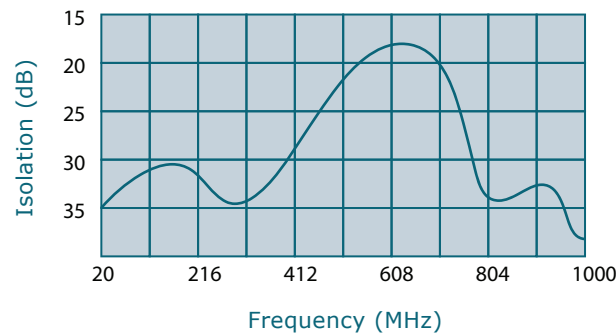
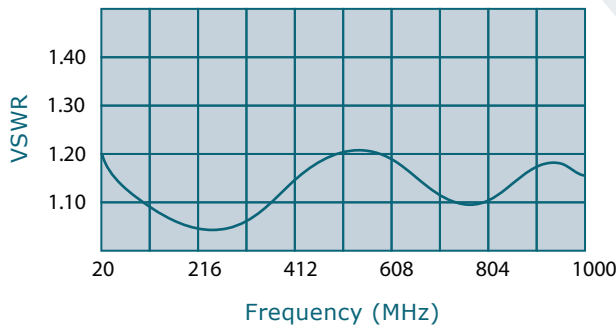
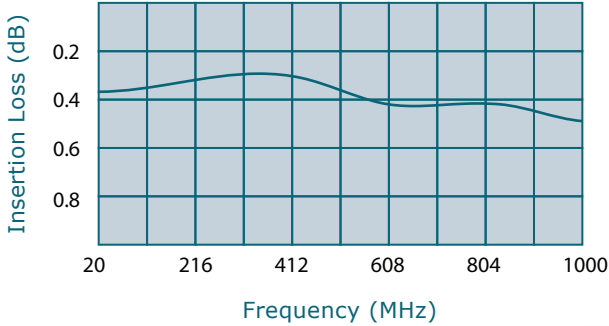
VSWR: 1.35:1 Max.

Isolation: 17 dB Min.

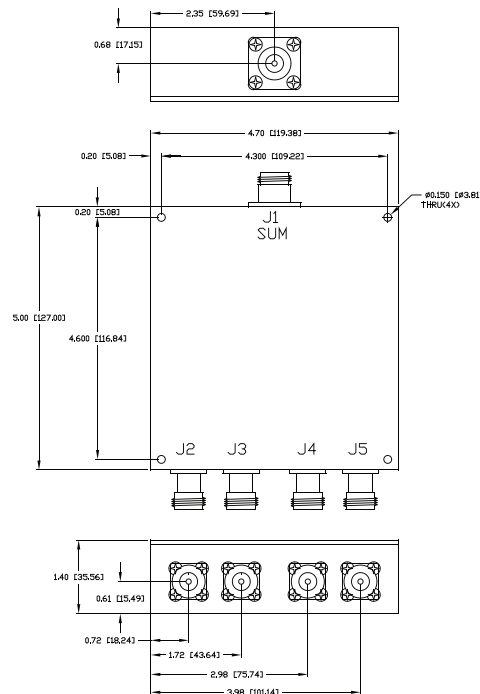
Phase Balance:  $\pm 5^\circ$  Max.

Amplitude Balance: 0.30 dB Max.

- All specifications guaranteed.
- Test data provided with each unit shipped.
- Alternate connector configurations upon request.



Connector Configurations		
Model	J1 (Sum Port)	J2-J5 (Inputs/Outputs)
D9048-10	N Female	N Female
D9048-12	N Female	SMA
D9048-20	7/16 Female	N Female
D9048-22	7/16 Female	SMA



\*\*Subject to change without notice

high power RF devices