



WERLATONE

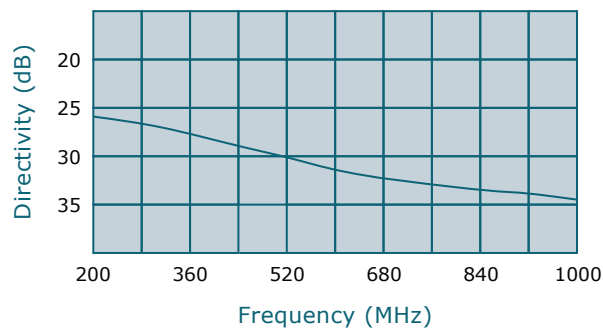
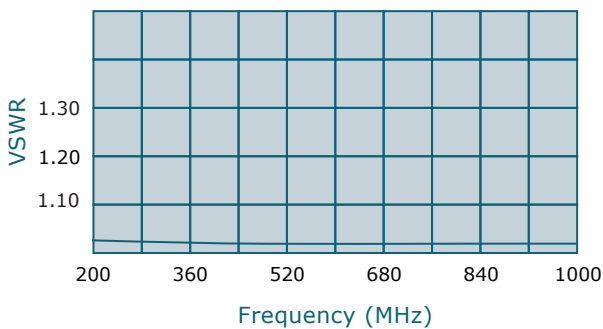
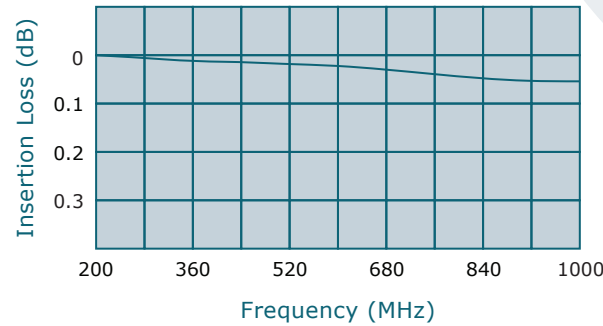
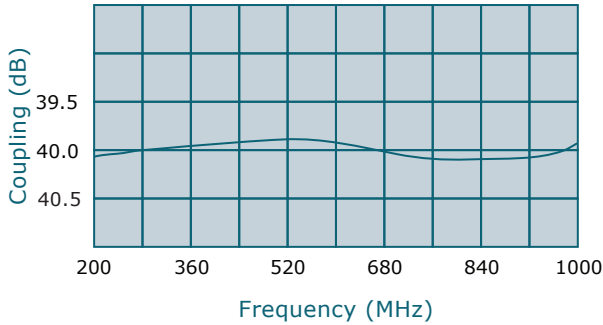
SINCE 1965

Werlatone, Inc.  
17 Jon Barrett Road  
Patterson, New York 12563  
T 845.278.2220  
F 845.278.3440  
www.werlatone.com



## 40 dB Dual Directional Coupler

### Model C5768



Frequency: 200 - 1000 MHz

Power: 500 W CW

Coupling: 40 dB ± 1.0 dB Nom.

Insertion Loss: 0.2dB Max.

VSWR: 1.10:1 Max.

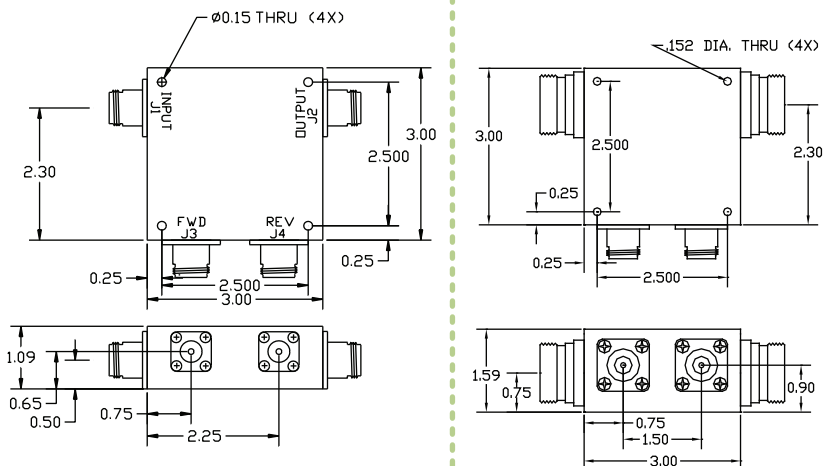
Flatness: +/- 0.3dB Max.

Directivity: 20 dB Min.

- All specifications guaranteed.
- Test data provided with each unit shipped.
- Uni-Directional version available.
- \* Designed to operate, at 250 W CW, into an infinite VSWR.

Connector Configurations		
Model	J1,J2 (Mainline)	J3,J4 (Coupled Port)
C5768-10	N Female	N Female
C5768-12	N Female	SMA
C5768-13	N Female	BNC
C5768-22*	7/16 Female	SMA

\*\*Case height increases from 1.09" to 1.59" to support larger connector flange.



\*\*Subject to change without notice

high power RF devices