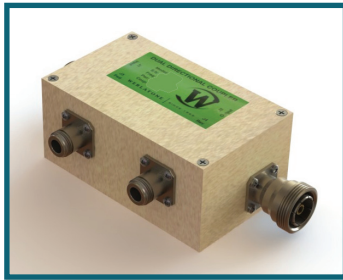




WERLATONE

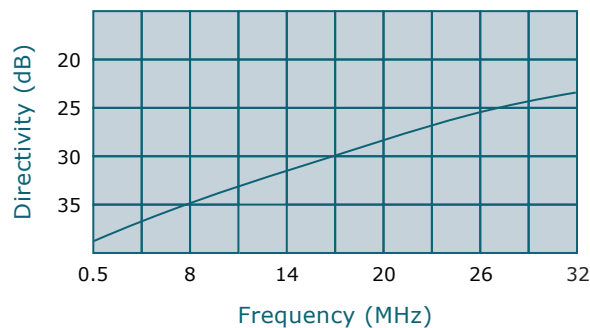
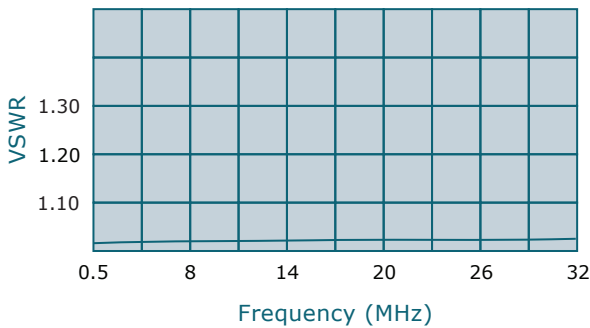
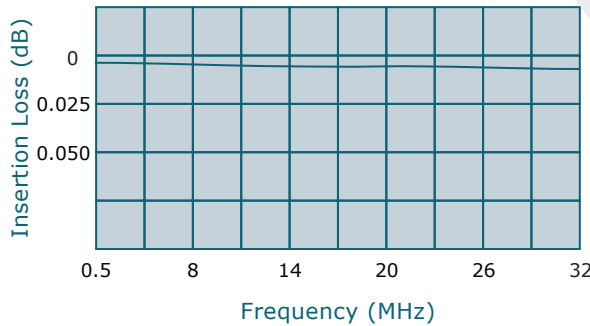
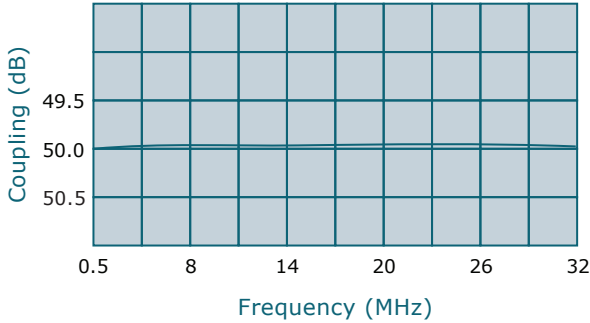
SINCE 1965

Werlatone, Inc.
17 Jon Barrett Road
Patterson, New York 12563
T 845.278.2220
F 845.278.3440
www.werlatone.com



50 dB Dual Directional Coupler

Model C2800



Frequency: 0.50 - 32 MHz

Power: 5,000 W CW

Coupling: 50 dB ± 1.0 dB Nom.

Insertion Loss: 0.05 dB Max.

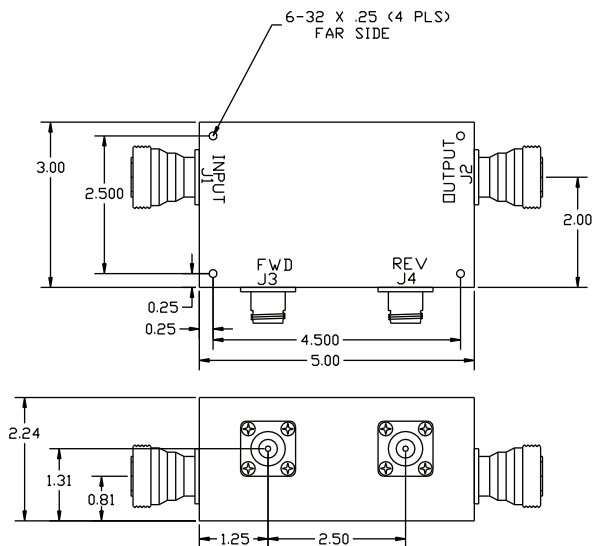
VSWR: 1.15:1 Max.

Flatness: +/-0.5 dB Max.

Directivity: 20 dB Min.

- All specifications guaranteed.
- Test data provided with each unit shipped.
- Uni-Directional version available.

| Connector Configurations | | |
|--------------------------|------------------|----------------------|
| Model | J1,J2 (Mainline) | J3,J4 (Coupled Port) |
| C2800-10 | N Female | N Female |
| C2800-12 | N Female | SMA |
| C2800-13 | N Female | BNC |
| C2800-20 | 7/16 Female | N Female |



**Subject to change without notice

high power RF devices