



WERLATONE

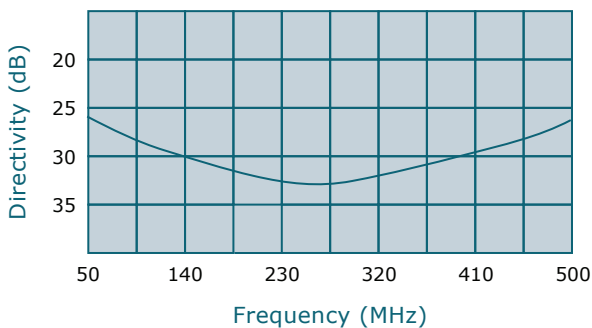
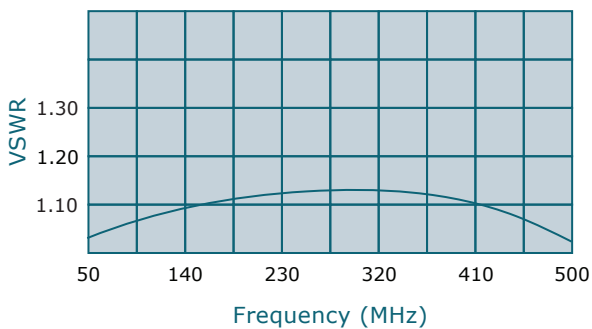
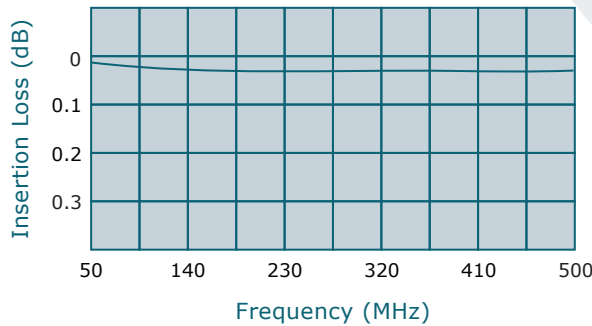
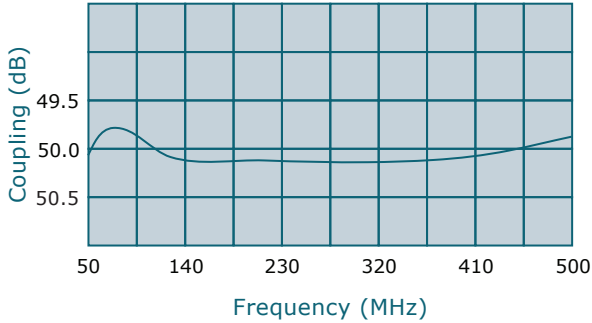
SINCE 1965

Werlatone, Inc.
17 Jon Barrett Road
Patterson, New York 12563
T 845.278.2220
F 845.278.3440
www.werlatone.com



50 dB Dual Directional Coupler

Model C5923



Frequency: 50 - 500 MHz

Power: 5,000 W CW

Coupling: 50 dB ± 1.0 dB Nom.

Insertion Loss: 0.1 dB Max.

VSWR: 1.15:1 Max.

Flatness: +/- 0.5 dB Max.

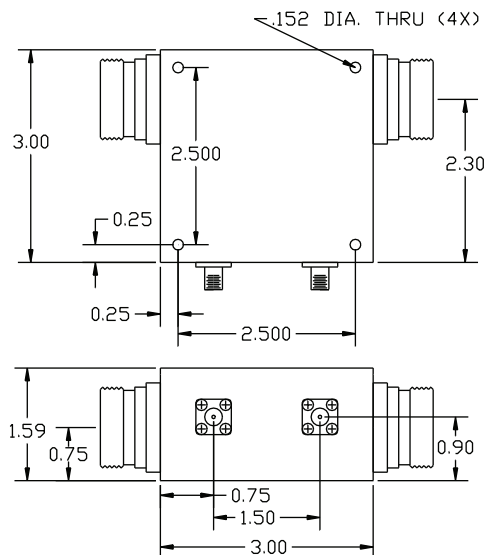
Directivity: 25 dB Min.

***Mismatch Tolerant® Design**

- All specifications guaranteed.
- Test data provided with each unit shipped.
- Uni-Directional version available.

* Designed to operate, at rated power into an infinite VSWR.

Connector Configurations		
Model	J1,J2 (Mainline)	J3,J4 (Coupled Port)
C5923-20	7/16 Female	N Female
C5923-71	7/8" EIA	N Male



**Subject to change without notice

high power RF devices