



WERLATONE

SINCE 1965

Werlatone, Inc.  
17 Jon Barrett Road  
Patterson, New York 12563  
T 845.278.2220  
F 845.278.3440  
www.werlatone.com



## 60 dB Dual Directional Coupler

### Model C5352

Frequency: 20 - 500 MHz

Power: 1,500 W CW

Coupling: 60 dB ± 1.0 dB Nom.

Insertion Loss: 0.15 dB Max.

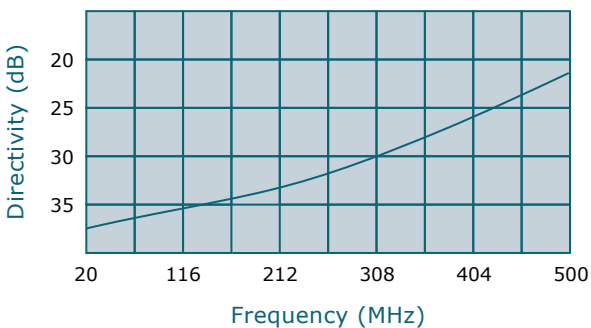
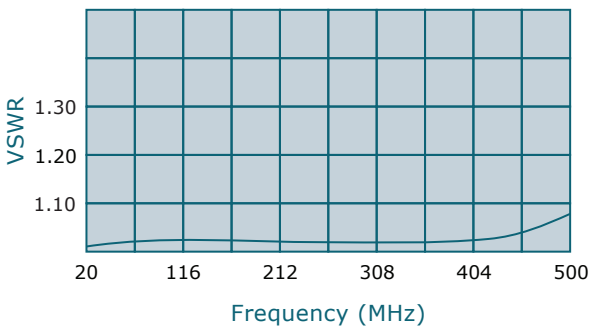
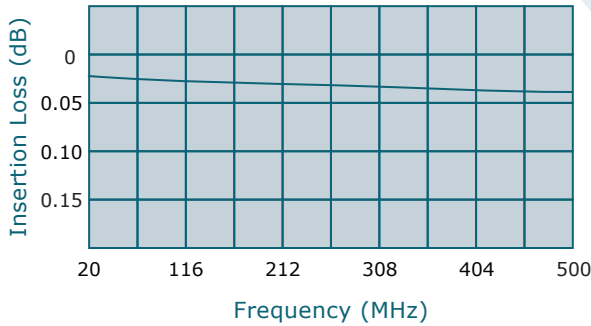
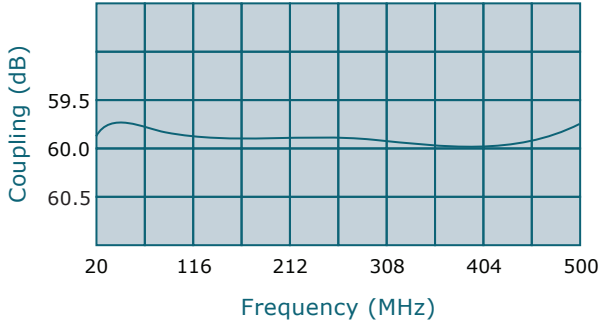
VSWR: 1.20:1 Max.

Flatness: +/-0.5 dB Max.

Directivity: 20 dB Min.

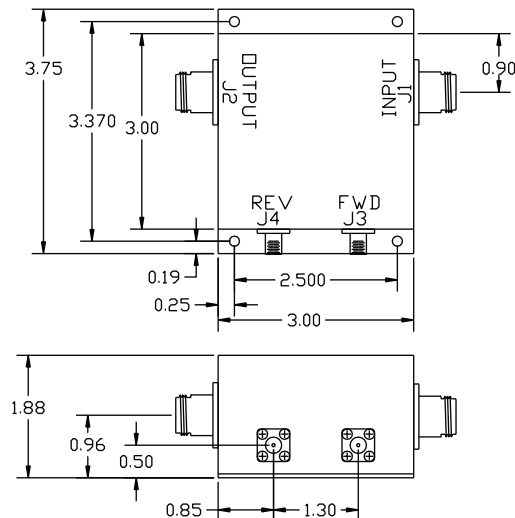
*\*Mismatch Tolerant®* Design

- All specifications guaranteed.
- Test data provided with each unit shipped.
- Uni-Directional version available.
- \* Designed to operate, at rated power, into an infinite VSWR.



\*\*Subject to change without notice

| Connector Configurations |                  |                      |
|--------------------------|------------------|----------------------|
| Model                    | J1,J2 (Mainline) | J3,J4 (Coupled Port) |
| C5352-10                 | N Female         | N Female             |
| C5352-12                 | N Female         | SMA                  |
| C5352-13                 | N Female         | BNC                  |
| C5352-43                 | SC Female        | SMA                  |



high power RF devices