



WERLATONE

SINCE 1965

Werlatone, Inc.
17 Jon Barrett Road
Patterson, New York 12563
T 845.278.2220
F 845.278.3440
www.werlatone.com



60 dB Dual Directional Coupler

Model C6222

Frequency: 25 - 500 MHz

Power: 5,250 W CW

Coupling: 60 dB ± 1.0 dB Nom.

Insertion Loss: 0.05 dB Max.

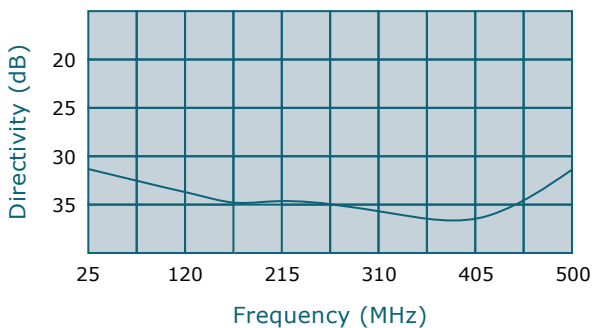
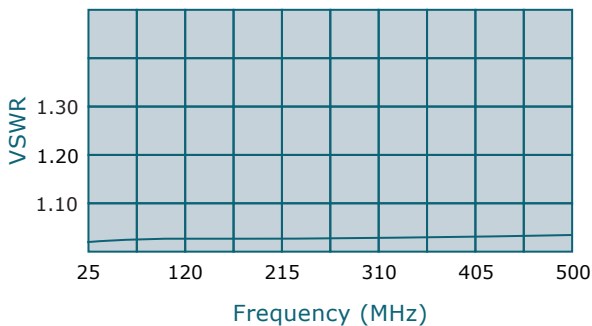
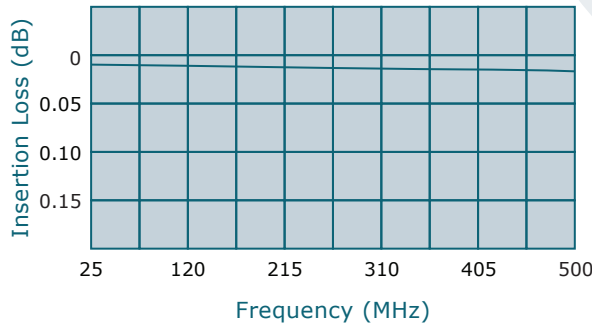
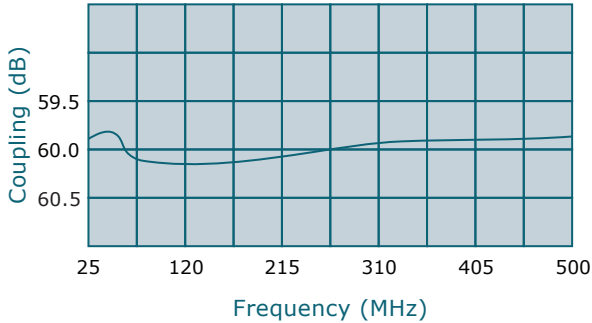
VSWR: 1.15:1 Max.

Flatness: +/-0.35 dB Max.

Directivity: 30 dB Min.

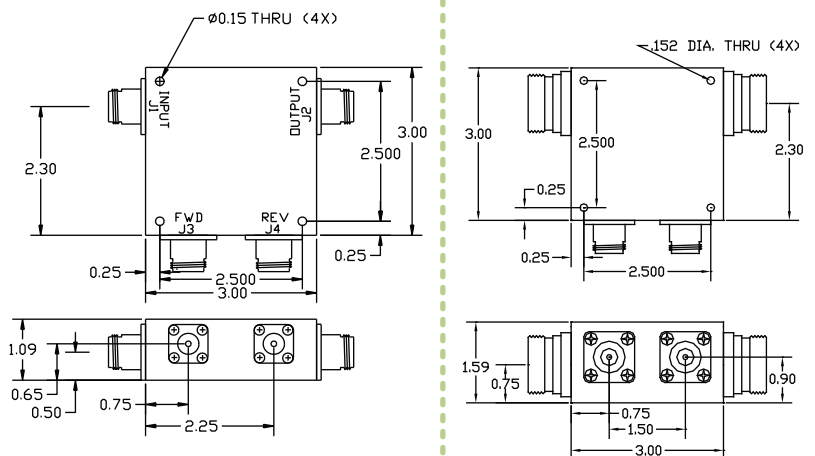
**Mismatch Tolerant*® Design

- All specifications guaranteed.
- Test data provided with each unit shipped.
- Uni-Directional version available.
- * Designed to operate, at rated power, into an infinite VSWR.



Connector Configurations		
Model	J1,J2 (Mainline)	J3,J4 (Coupled Port)
C6222-10	N Female	N Female
C6222-12	N Female	SMA
C6222-20*	7/16 Female	N Female
C6222-71	7/8" EIA	N Male

*Case height increases from 1.09" to 1.59" to support larger connector flange.



**Subject to change without notice

high power RF devices