



WERLATONE

SINCE 1965

Werlatone, Inc.  
17 Jon Barrett Road  
Patterson, New York 12563  
T 845.278.2220  
F 845.278.3440  
www.werlatone.com



## 60 dB Dual Directional Coupler

### Model C5027

Frequency: 80 - 1000 MHz

Power: 4,000 W CW

Coupling: 60 dB ± 1.0 dB Nom.

Insertion Loss: 0.1 dB Max.

VSWR: 1.30:1 Max.

Flatness: +/-0.5 dB Max.

Directivity: 20 dB Min.

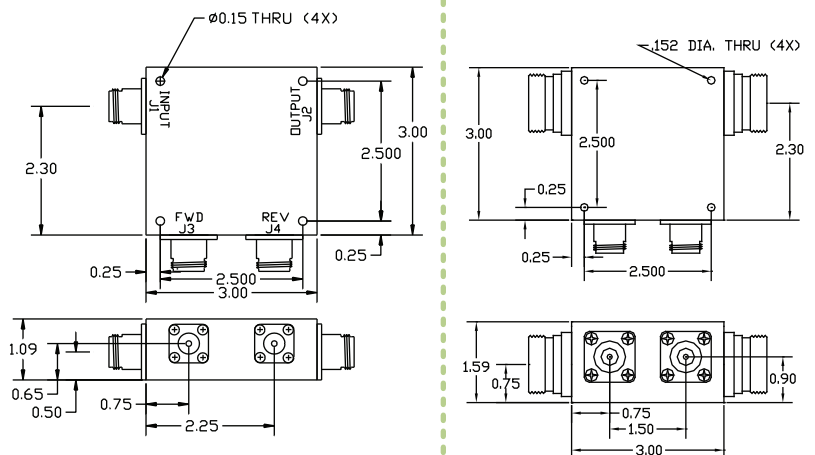
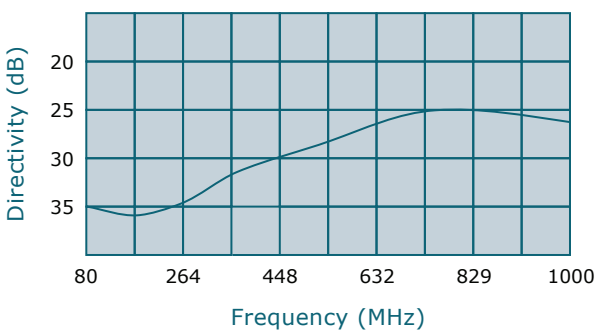
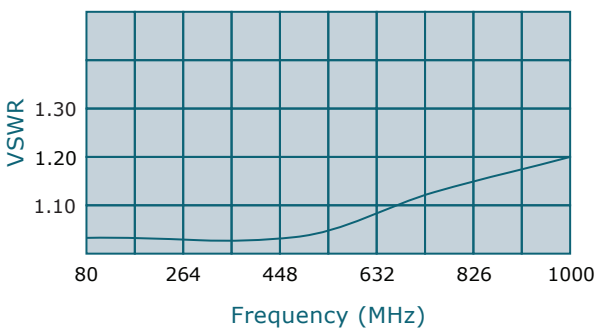
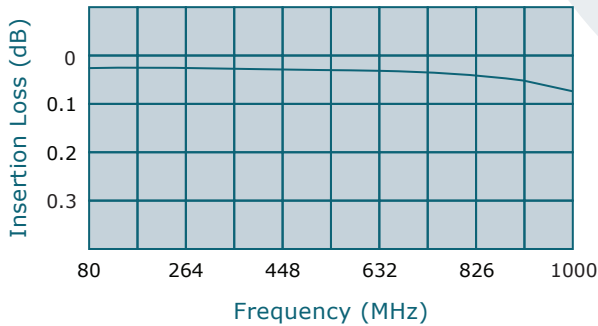
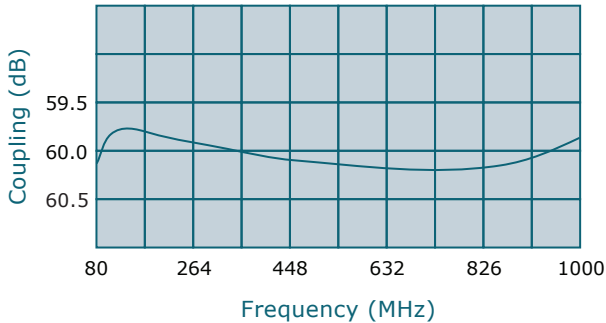
*\*Mismatch Tolerant®* Design

- All specifications guaranteed.
- Test data provided with each unit shipped.
- Uni-Directional version available.
- \* Designed to operate, at rated power, into an infinite VSWR.

#### Connector Configurations

| Model     | J1,J2 (Mainline) | J3,J4 (Coupled Port) |
|-----------|------------------|----------------------|
| C5027-10  | N Female         | N Female             |
| C5027-20* | 7/16 Female      | N Female             |
| C5027-43  | SC Female        | SMA                  |
| C5027-71  | 7/8" Female      | N Male               |

\*Case height increases from 1.09" to 1.59" to support larger connector flange.



\*\*Subject to change without notice

high power RF devices