



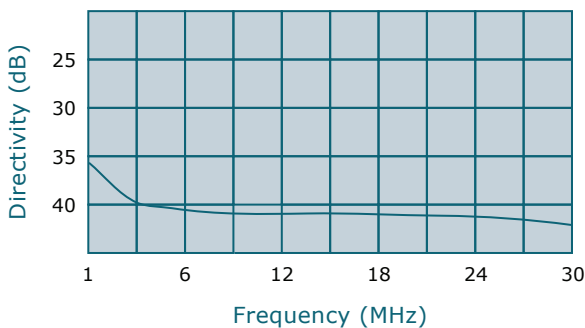
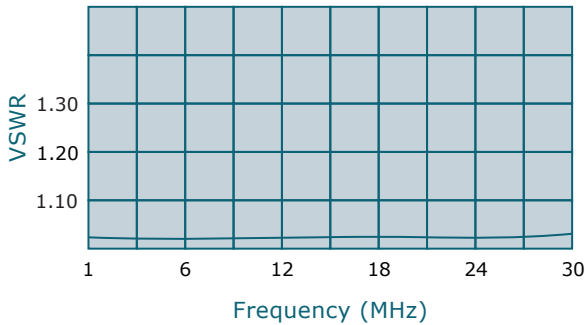
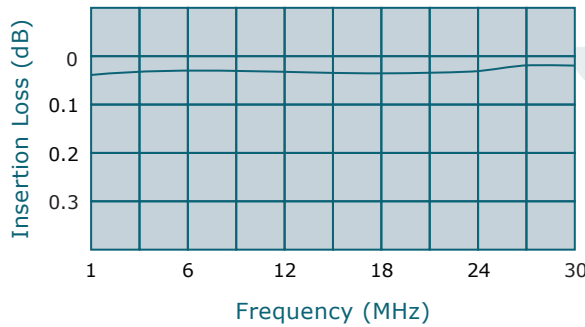
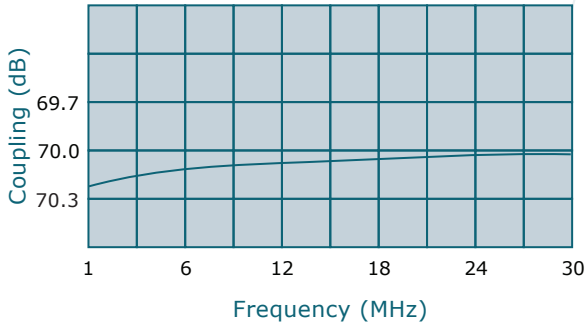
WERLATONE

SINCE 1965

Werlatone, Inc.
17 Jon Barrett Road
Patterson, New York 12563
T 845.278.2220
F 845.278.3440
www.werlatone.com

70 dB Dual Directional Coupler

Model C2717



Frequency: 1 - 30 MHz

Power: 100,000 W CW

Coupling: 70 dB ± 1.0 dB Nom.

Insertion Loss: 0.05 dB Max.

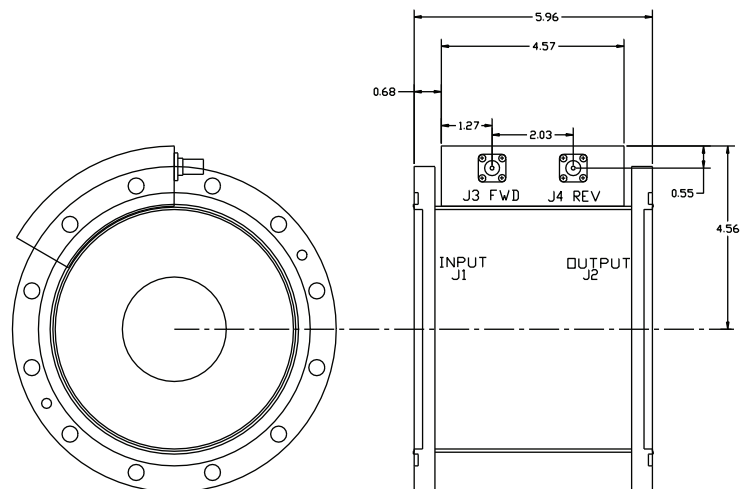
VSWR: 1.05:1 Max.

Flatness: +/-0.3 dB Max.

Directivity: 35 dB Min.

- All specifications guaranteed.
- Test data provided with each unit shipped.
- Uni-Directional version available.

Connector Configurations		
Model	J1,J2 (Mainline)	J3,J4 (Coupled Port)
C2717-401	6" EIA	N Female
C2717-402	6" EIA	SMA
C2717-403	6" EIA	BNC



high power RF devices

**Subject to change without notice