



WERLATONE

SINCE 1965

Werlatone, Inc.
17 Jon Barrett Road
Patterson, New York 12563
T 845.278.2220
F 845.278.3440
www.werlatone.com

2-Way Combiner/Divider

Model D5674

Frequency: 0.01 - 250 MHz

Power: 100 W CW

Insertion Loss: 1.5 dB Max.

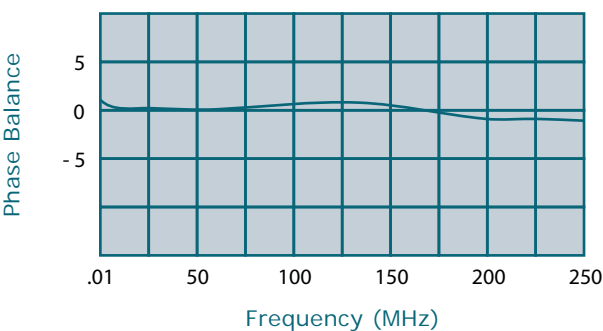
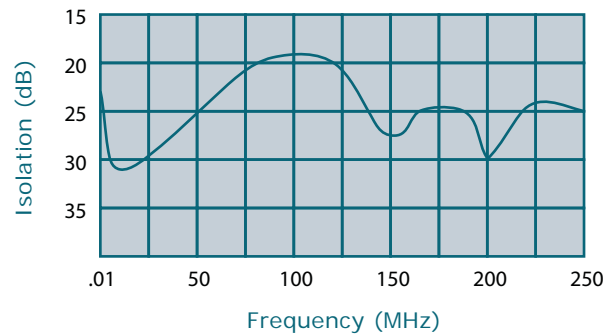
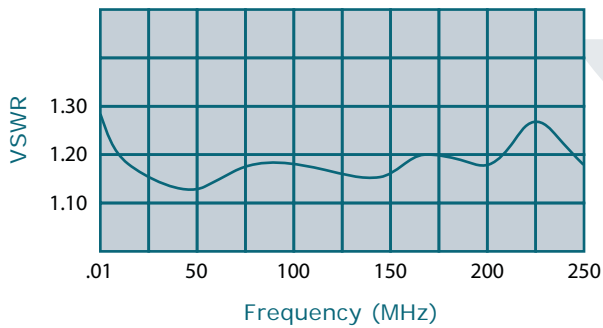
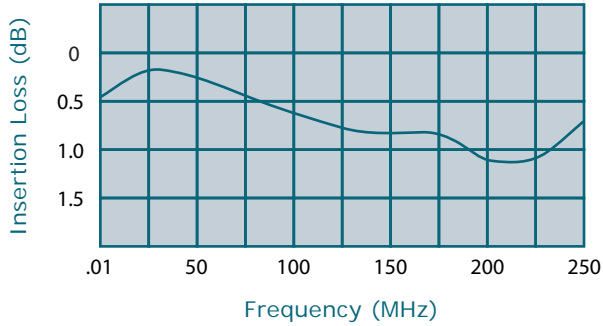
VSWR: 1.40:1 Max.

Isolation: 18 dB Min.

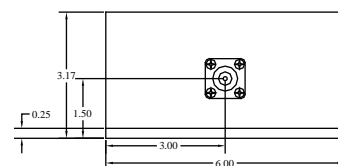
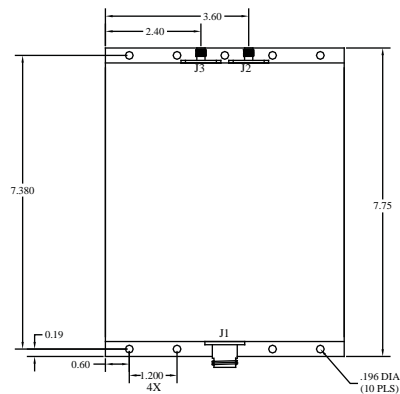
Phase Balance: 8 Deg. Max.

Amplitude Balance: 0.6 dB Max.

- All specifications guaranteed.
- Test data provided with each unit shipped.
- Alternate connector configurations upon request.



| Connector Configuration | | |
|-------------------------|---------------|----------------------|
| Model | J1 (Sum Port) | J2-J3 (Input/Output) |
| D5674-10 | N Female | N Female |
| D5674-12 | N Female | SMA |
| D5674-13 | N Female | BNC |
| D5674-102 | SMA | SMA |



**Subject to change without notice

high power RF devices