



WERLATONE

SINCE 1965

Werlatone, Inc.
17 Jon Barrett Road
Patterson, New York 12563
T 845.278.2220
F 845.278.3440
www.werlatone.com

2-Way Combiner/Divider

Model D5738

Frequency: 1.5 - 30 MHz

Power: 12,500 W CW

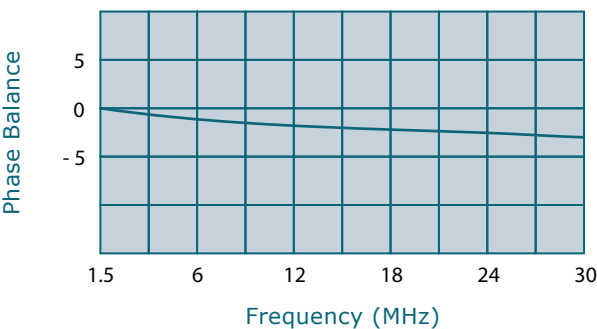
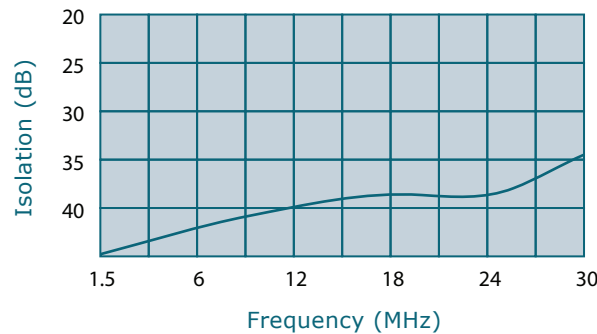
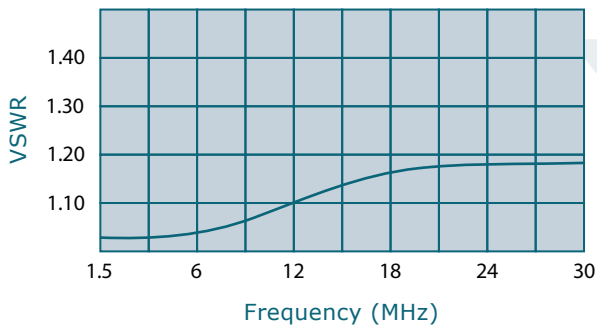
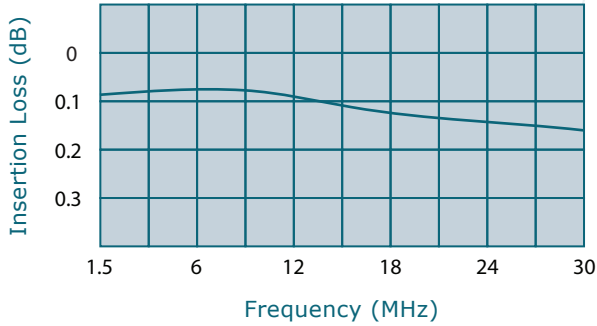
Insertion Loss: 0.2 dB Max.

VSWR: 1.25:1 Max.

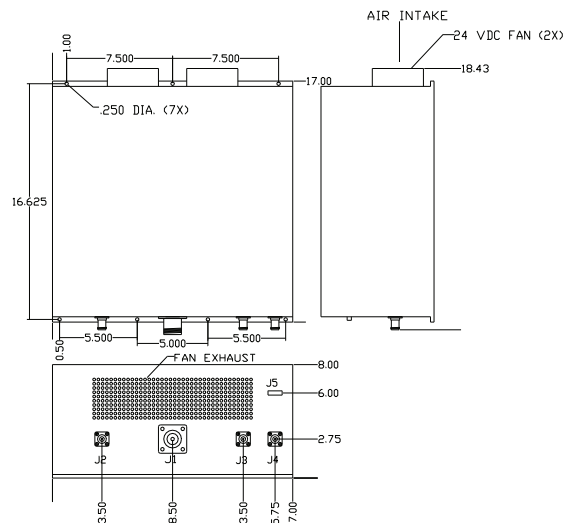
Isolation: 20 dB Min.

Phase Balance: 5 Deg. Max.

Amplitude Balance: 0.2 dB Max.



- All specifications guaranteed.
- Test data provided with each unit shipped.
- Connector configuration to be discussed.



high power RF devices