



WERLATONE

SINCE 1965

Werlatone, Inc.
17 Jon Barrett Road
Patterson, New York 12563
T 845.278.2220
F 845.278.3440
www.werlatone.com

2-Way Combiner/Divider

Model D4034

Frequency: 88 - 108 MHz

Power: 1,000 W CW

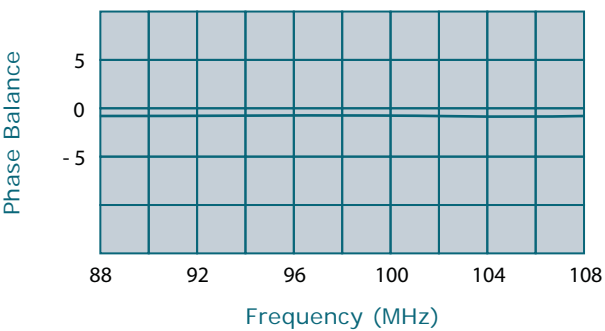
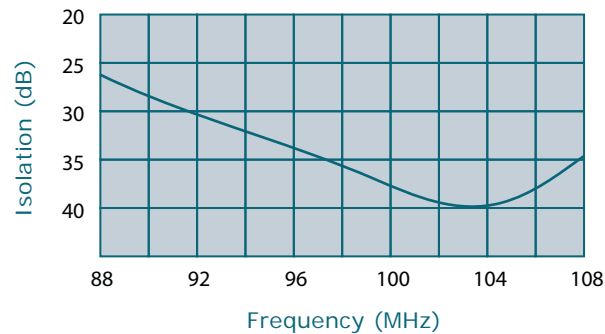
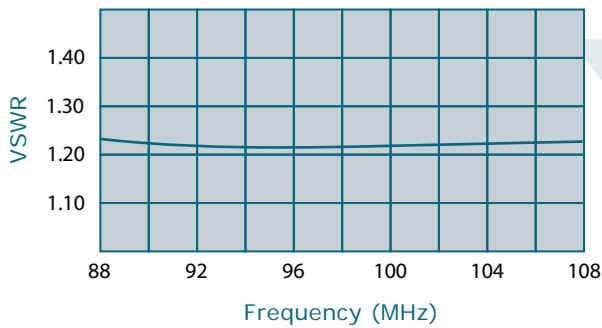
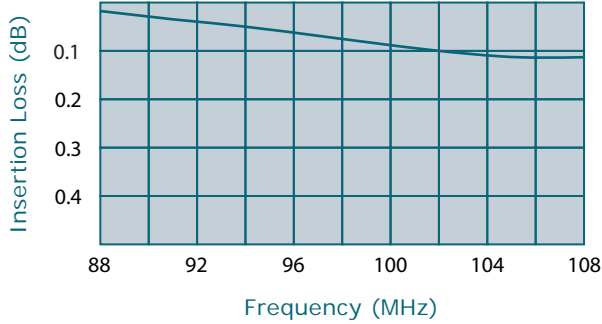
Insertion Loss: 0.3 dB Max.

VSWR: 1.25:1 Max.

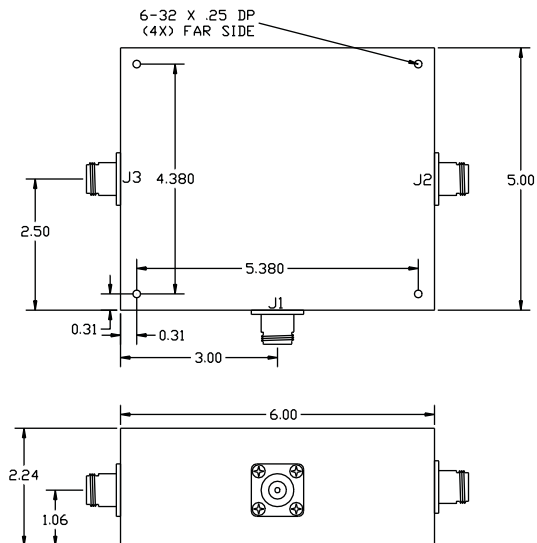
Isolation: 20 dB Min.

Phase Balance: 5 Deg. Max.

Amplitude Balance: 0.1 dB Max.



Connector Configuration		
Model	J1 (Sum Port)	J2-J3 (Input/Output)
D4034-10	N Female	N Female
D4034-12	N Female	SMA
D4034-13	N Female	BNC



**Subject to change without notice

high power RF devices