



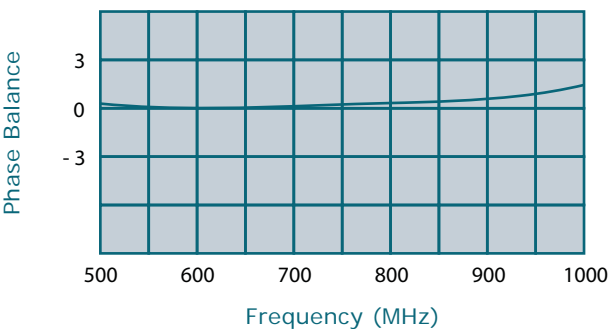
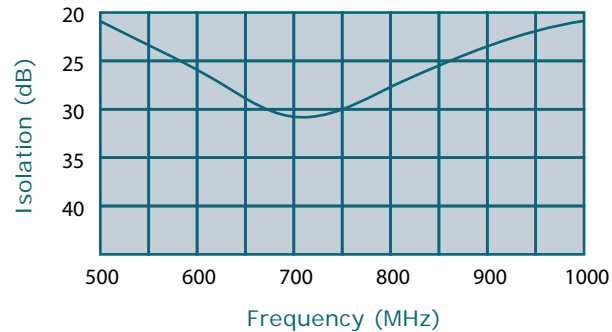
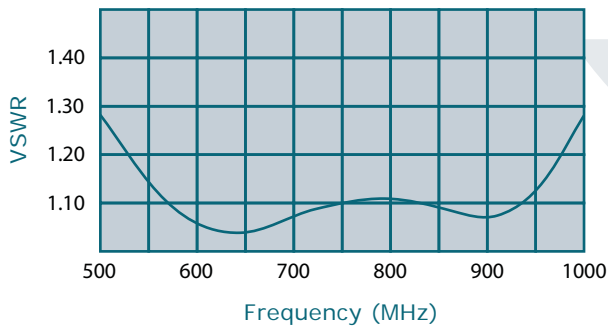
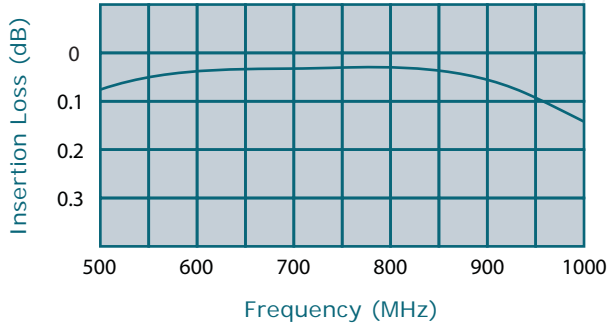
WERLATONE

SINCE 1965

Werlatone, Inc.  
17 Jon Barrett Road  
Patterson, New York 12563  
T 845.278.2220  
F 845.278.3440  
www.werlatone.com

## 2-Way Combiner/Divider

### Model D3897



Frequency: 500 - 1000 MHz

Power: 1,000 W CW

Insertion Loss: 0.2 dB Max.

VSWR: 1.50:1 Max.

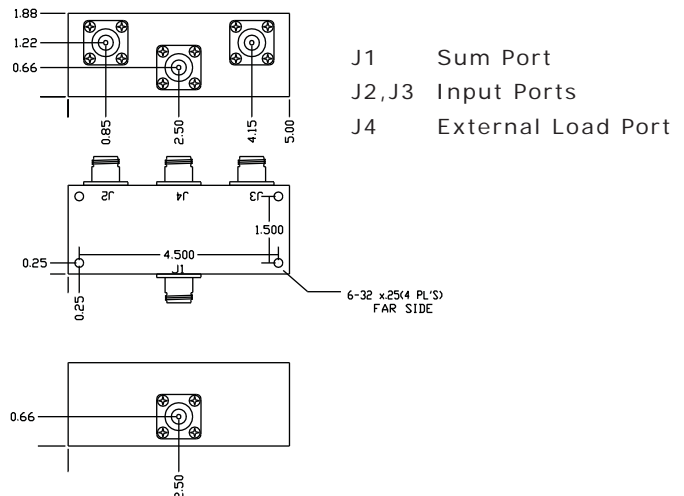
Isolation: 18 dB Min.

Phase Balance: 3 Deg. Max.

Amplitude Balance: 0.3 dB Max.

- All specifications guaranteed.
- Test data provided with each unit shipped.
- Alternate connector configurations upon request.
- Contains 4th port for connection to customer supplied external load .

Connector Configuration		
Model	J1 (Sum Port)	J2-J4 (Inputs & Load Ports)
D3897-10	N Female	N Female
D3897-12	N Female	SMA
D3897-13	N Female	BNC
D3897-41	SC Female	N Female



\*\*Subject to change without notice

high power RF devices