



WERLATONE

SINCE 1965

Werlatone, Inc.
17 Jon Barrett Road
Patterson, New York 12563
T 845.278.2220
F 845.278.3440
www.werlatone.com



2-Way 90° Hybrid Coupler

Model QH3571

Frequency: 200-500 MHz

Power: 1000 W CW

Insertion Loss: 0.2 dB Max.

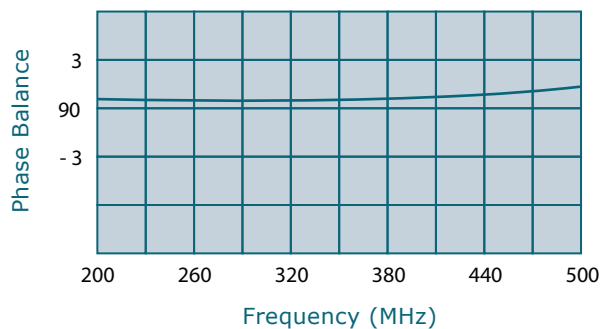
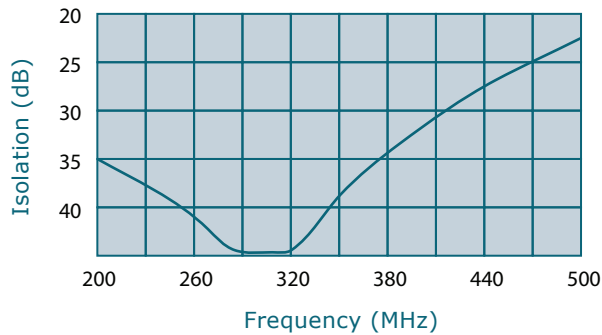
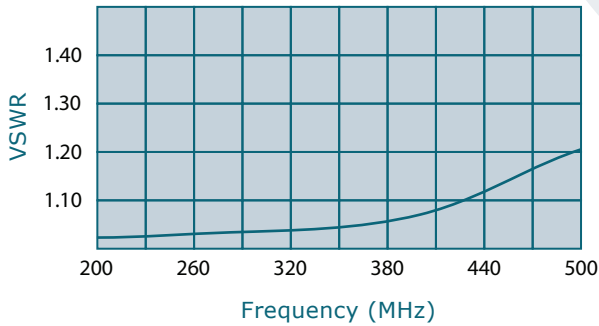
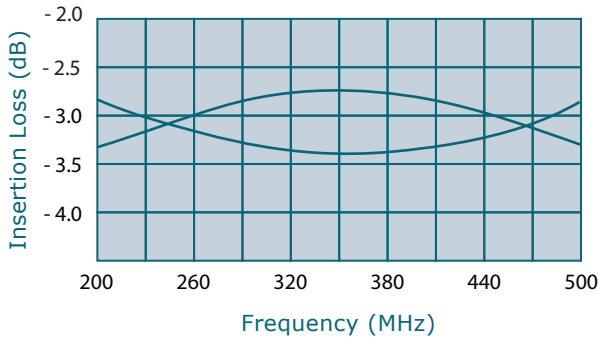
VSWR: 1.3:1 Max.

Isolation: 20 dB Min.

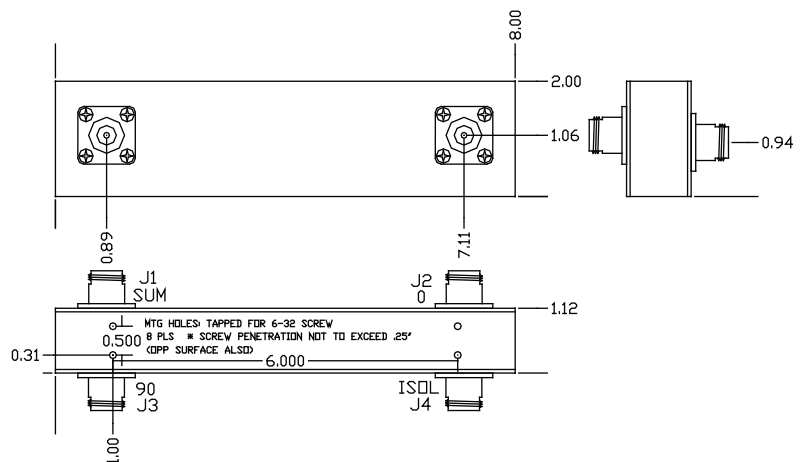
Phase Balance: $\pm 3^\circ$ Max.

Amplitude Balance: 0.10 dB Max.

- All specifications guaranteed.
- Test data provided with each unit shipped.
- Alternate connector configurations upon request.



Connector Configurations			
Model	J1 (Sum Port)	J2, J3 (0°, 90°)	J4 (Iso. Port)
QH3571-10	N Female	N Female	N Female
QH3571-12	N Female	SMA	SMA
QH3571-41	SC Female	N Female	N Female



**Subject to change without notice

high power RF devices