



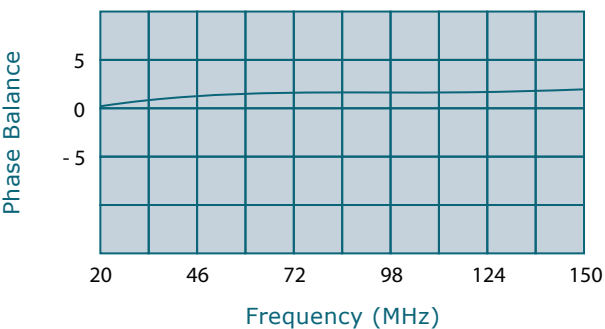
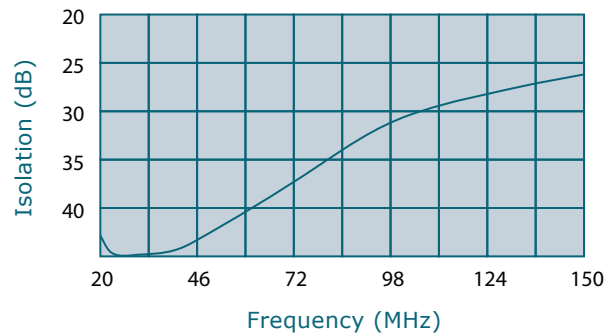
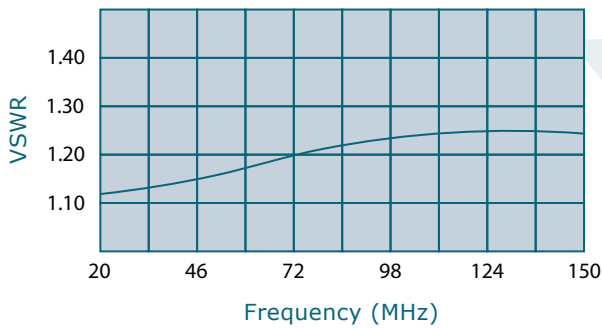
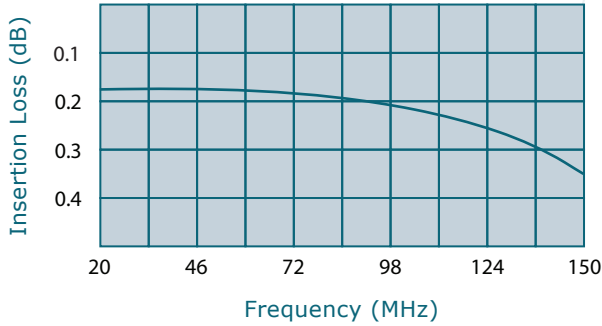
WERLATONE

SINCE 1965

Werlatone, Inc.
17 Jon Barrett Road
Patterson, New York 12563
T 845.278.2220
F 845.278.3440
www.werlatone.com

2-Way(180 Deg.)Combiner/Divider

Model H2052



Frequency: 20 - 150 MHz

Power: 100 W CW

Insertion Loss: 0.5 dB Max.

VSWR: 1.30:1 Max.

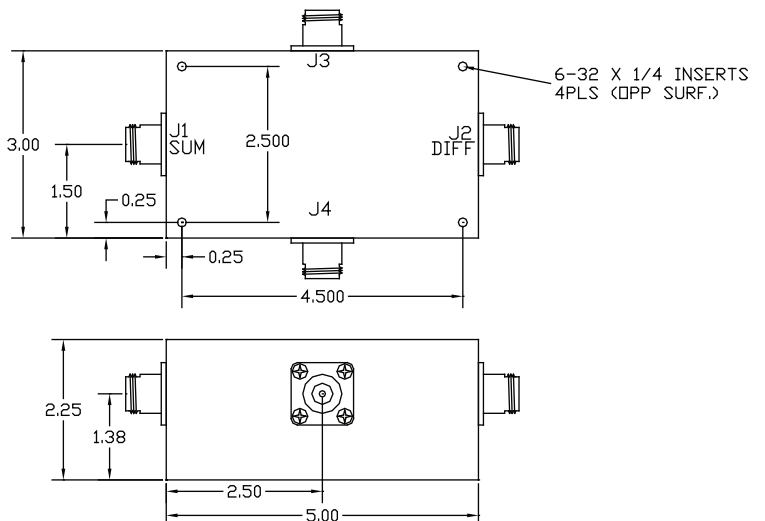
Isolation: 20 dB Min.

Phase Balance: 180° ± 5° Max.

Amplitude Balance: 0.3 dB Max.

- All specifications guaranteed.
- Test data provided with each unit shipped.
- Alternate connector configurations upon request.

Connector Configurations			
Model	J1 (Sum Port)	J2 (Diff Port)	J3,J4 (Inputs/Outputs)
H2052-10	N Female	N Female	N Female
H2052-102	SMA	SMA	SMA
H2052-300	TNC Female	TNC Female	TNC Female



**Subject to change without notice

high power RF devices