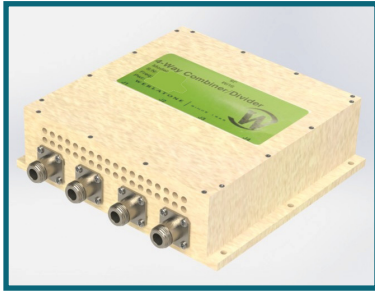




WERLATONE

SINCE 1965

Werlatone, Inc.
17 Jon Barrett Road
Patterson, New York 12563
T 845.278.2220
F 845.278.3440
www.werlatone.com



4-Way Combiner/Divider

Model D5809

Frequency: 225-400 MHz

Power: 400 W CW

150 W/Input Non-Coherent

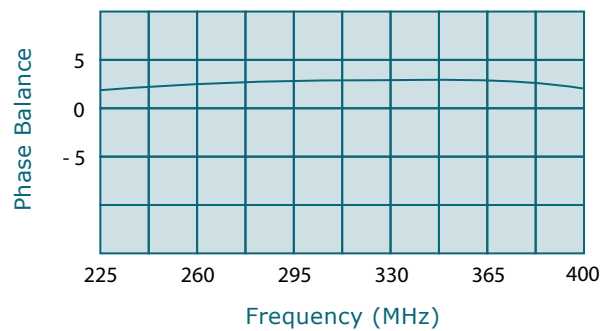
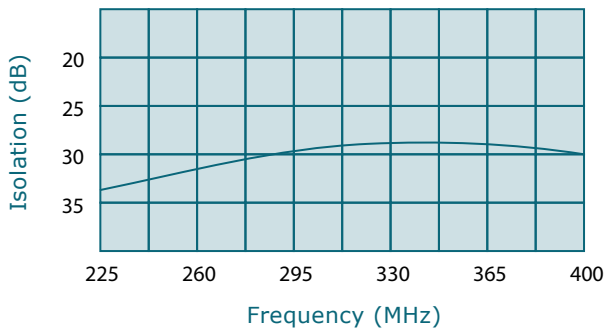
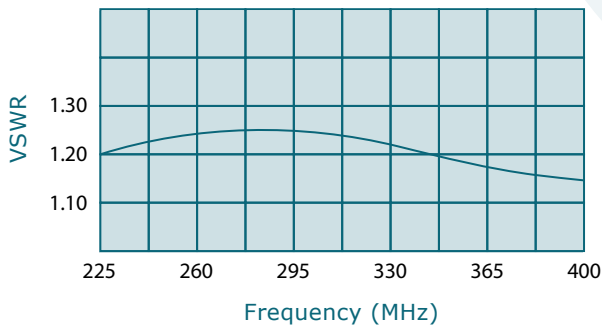
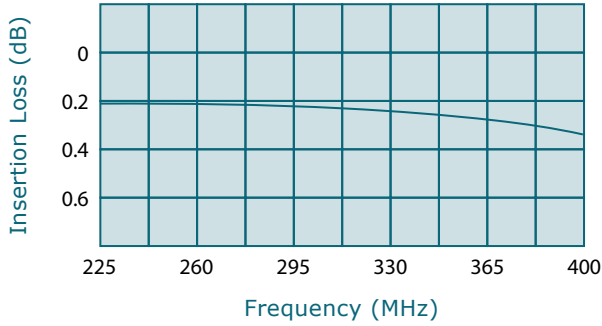
Insertion Loss: 0.4 dB Max.

VSWR: 1.30:1 Max.

Isolation: 25 dB Min.

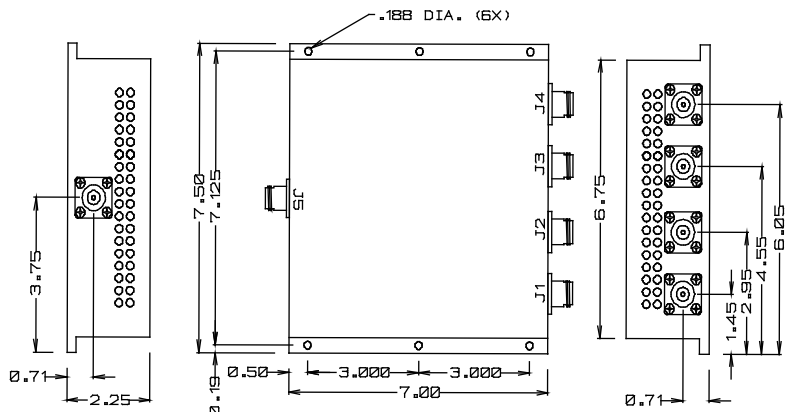
Phase Balance: 5 Deg. Max.

Amplitude Balance: 0.2 dB Max.



- All specifications guaranteed.
- Test data provided with each unit shipped.

| Connector Configurations | | |
|--------------------------|---------------|------------------------|
| Model | J5 (Sum Port) | J1-J4 (Inputs/Outputs) |
| D5809-10 | N Female | N Female |
| D5809-20 | 7/16 Female | N Female |
| D5809-41 | SC Female | N Female |



high power RF devices

**Subject to change without notice