



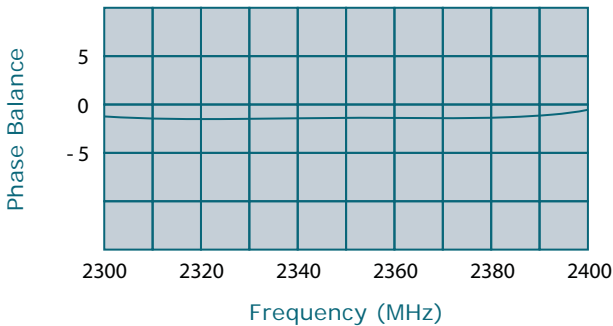
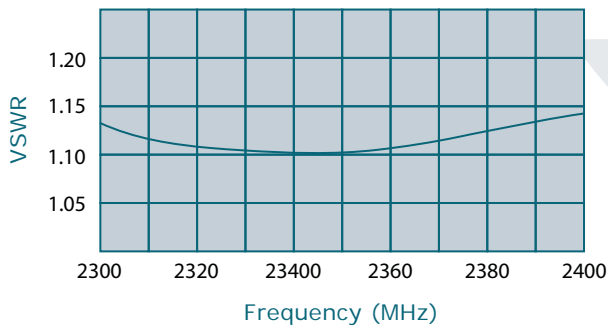
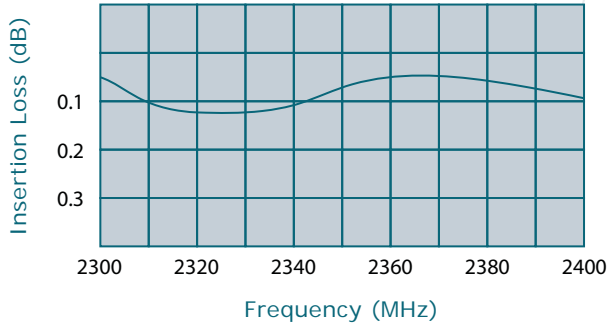
WERLATONE

SINCE 1965

Werlatone, Inc.  
17 Jon Barrett Road  
Patterson, New York 12563  
T 845.278.2220  
F 845.278.3440  
www.werlatone.com

# 16-Way Combiner/Divider

## Model D6309



Frequency: 2300 - 2400 MHz

Power: 2000 W CW

Insertion Loss: 0.2 dB Max.

VSWR: 1.15:1 Max.

Isolation: Non-Isolated

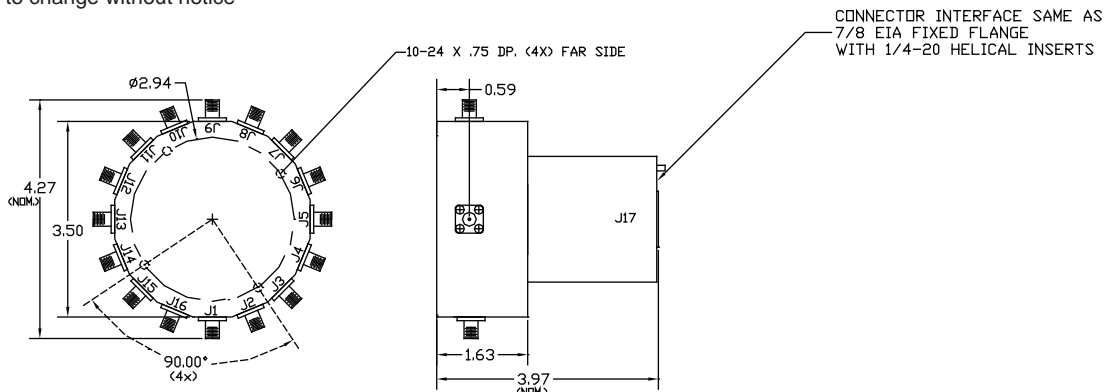
Phase Balance: 5 Deg. Max.

Amplitude Balance: 0.2 dB Max.

- All specifications guaranteed.
- Test data provided with each unit shipped.
- Alternate connector configurations upon request.

Connector Configurations		
Model	J17 (Sum Port)	J1-J16 (Inputs/Outputs)
D6903-72	7/8" EIA	SMA

\*\*Subject to change without notice



high power RF devices