



WERLATONE

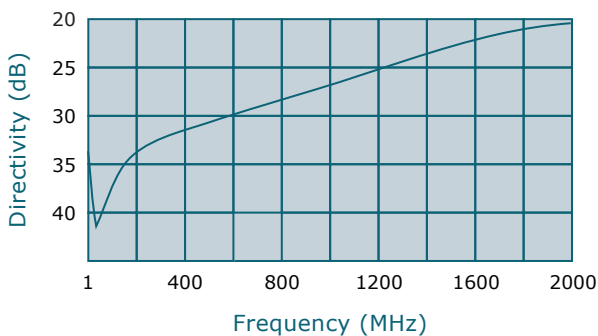
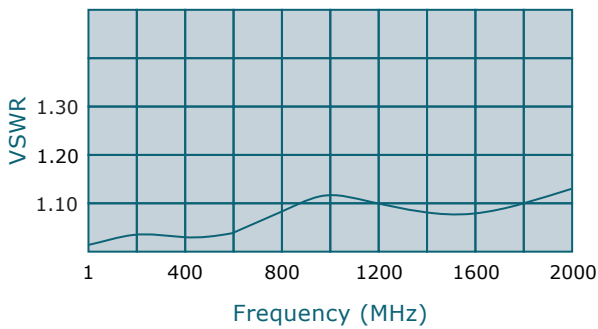
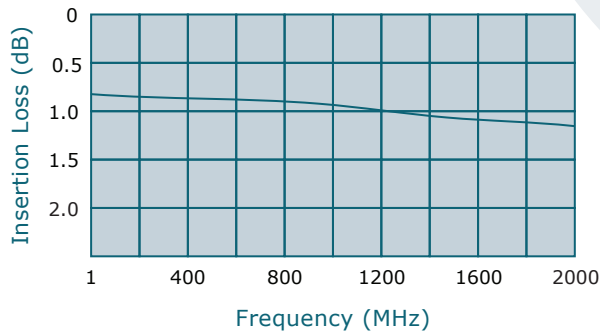
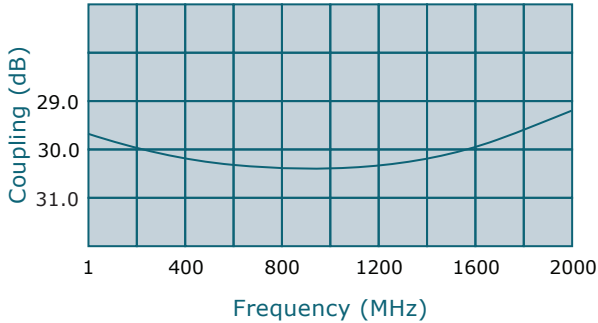
SINCE 1965

Werlatone, Inc.
17 Jon Barrett Road
Patterson, New York 12563
T 845.278.2220
F 845.278.3440
www.werlatone.com



30 dB Dual Directional Coupler

Model C6493



Frequency: 1 - 2000 MHz

Power: 50 W CW

Coupling: 30 dB ± 1.0 dB Nom.

Insertion Loss: 1.25 dB Max.

VSWR: 1.35:1 Max.

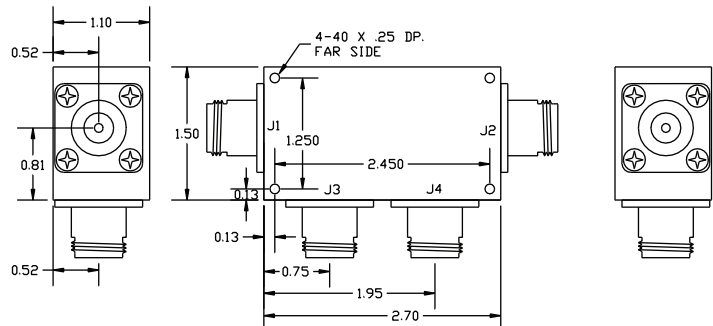
Flatness: +/-1.0 dB Max.

Directivity: 18 dB Min.

*Mismatch Tolerant® Design

- All specifications guaranteed.
- Test data provided with each unit shipped.
- Uni-Directional version available.
- * Designed to operate, at rated power, into an infinite VSWR.

Connector Configurations		
Model	J1,J2 (Mainline)	J3,J4 (Coupled Port)
C6493-10	N Female	N Female
C6493-12	N Female	SMA
C6493-13	N Female	BNC
C6493-102	SMA	SMA



**Subject to change without notice