



WERLATONE

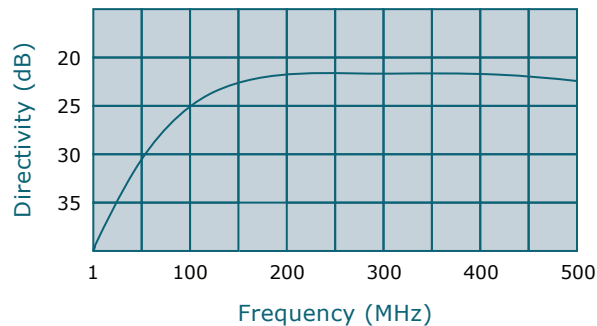
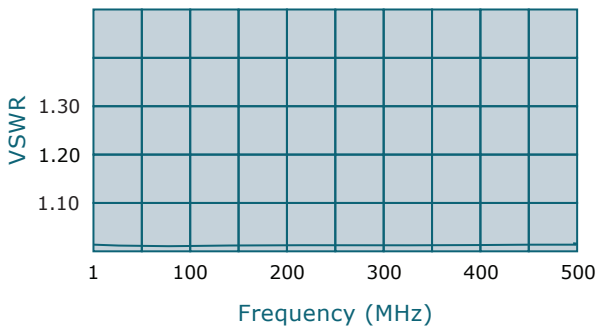
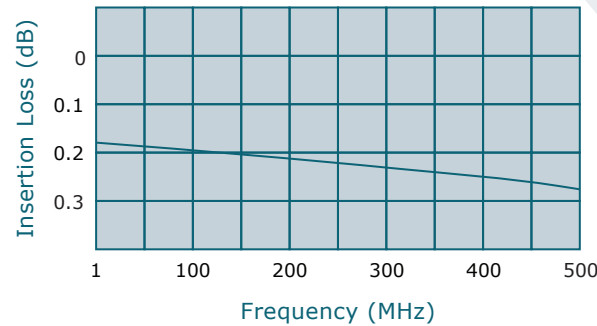
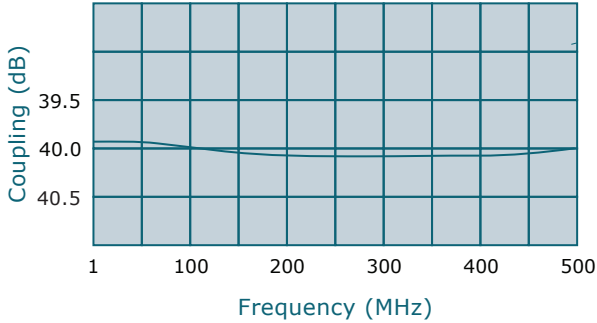
SINCE 1965

Werlatone, Inc.
17 Jon Barrett Road
Patterson, New York 12563
T 845.278.2220
F 845.278.3440
www.werlatone.com



40 dB Dual Directional Coupler

Model C6483



**Subject to change without notice

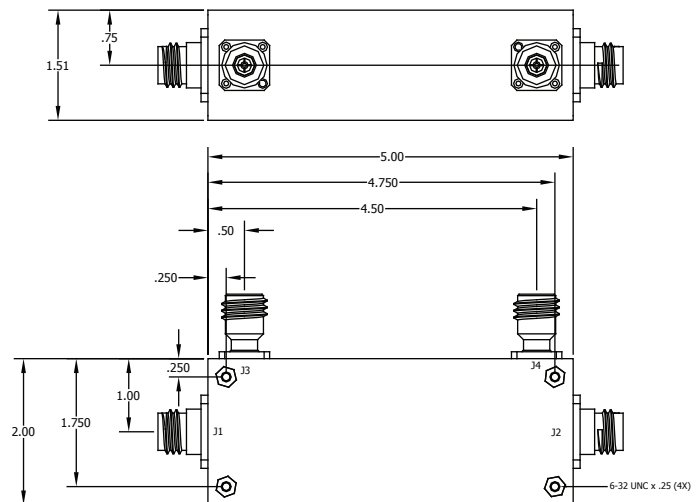
- Frequency: 1-500 MHz
- Power: 100 W CW
- Coupling: 40 dB ± 1.0 dB Nom.
- Insertion Loss: 0.4 dB Max.
- VSWR: 1.20:1 Max.
- Flatness: +/- 0.5 dB Max.
- Directivity: 20 dB Min.

**Mismatch Tolerant®* Design

- All specifications guaranteed.
- Test data provided with each unit shipped.
- Uni-Directional version available.

* Designed to operate, at rated power, into an infinite VSWR.

Connector Configurations		
Model	J1,J2 (Mainline)	J3,J4 (Coupled Port)
C6483-10	N Female	N Female
C6483-12	N Female	SMA
C6483-13	N Female	BNC
C6483-102	SMA	SMA



high power RF devices