



WERLATONE

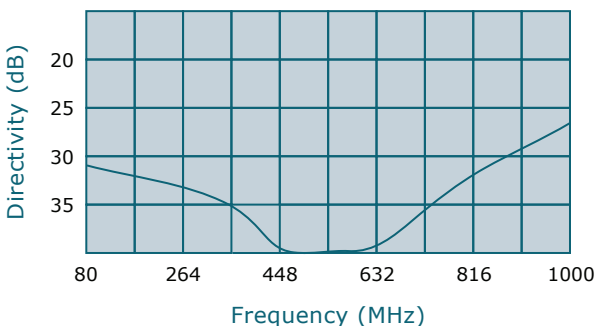
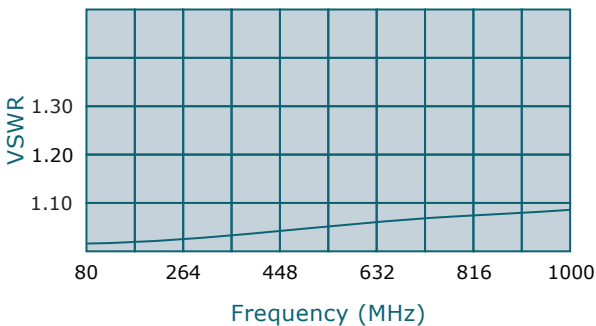
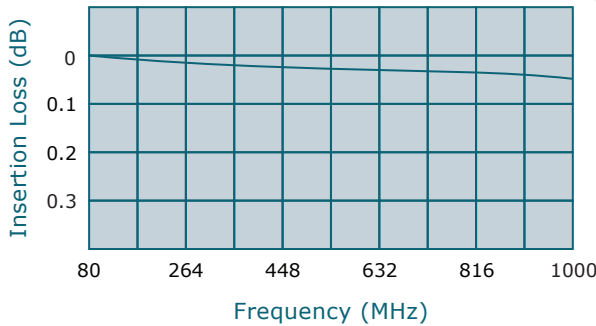
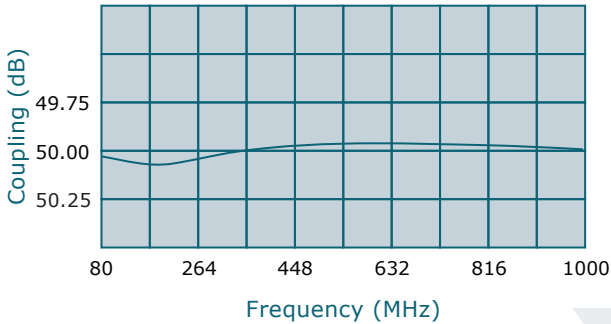
SINCE 1965

Werlatone, Inc.  
17 Jon Barrett Road  
Patterson, New York 12563  
T 845.278.2220  
F 845.278.3440  
www.werlatone.com



# 50 dB Dual Directional Coupler

## Model C6338



Frequency: 80 - 1000 MHz

Power: 2,500 W CW

Coupling: 50 dB ± 1.0 dB Nom.

Insertion Loss: 0.1 dB Max.

VSWR: 1.20:1 Max.

Flatness: +/- 0.3 dB Max.

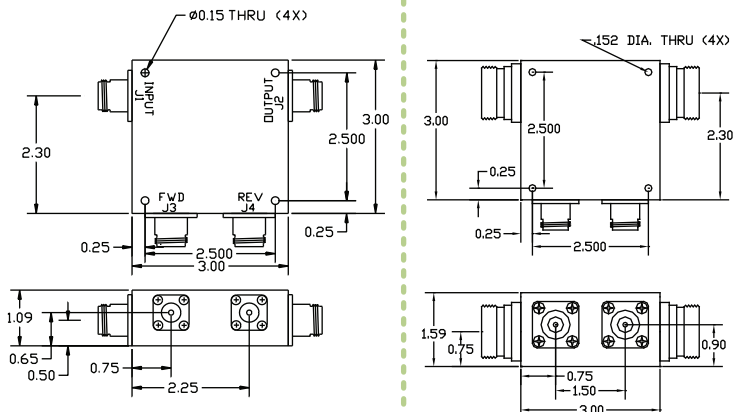
Directivity: 20 dB Min.

*\*Mismatch Tolerant®* Design

- All specifications guaranteed.
- Test data provided with each unit shipped.
- Uni-Directional version available.
- \* Designed to operate, at 1500 W CW, into an infinite VSWR.

Connector Configurations		
Model	J1,J2 (Mainline)	J3,J4 (Coupled Port)
C6338-20*	7/16 Female	N Female
C6338-23*	7/16 Female	BNC
C6338-41	SC Female	N Female
C6338-43	SC Female	SMA

\*Case height increases from 1.09" to 1.59" to support larger connector flange.



high power RF devices

\*\*Subject to change without notice