



WERLATONE

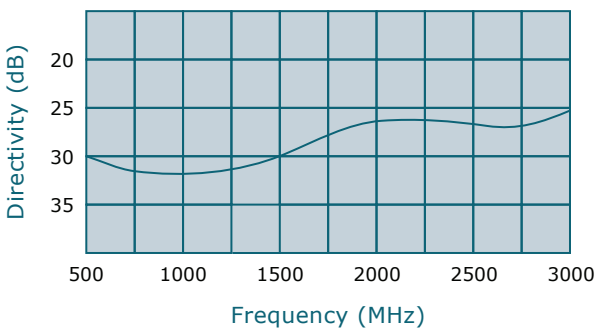
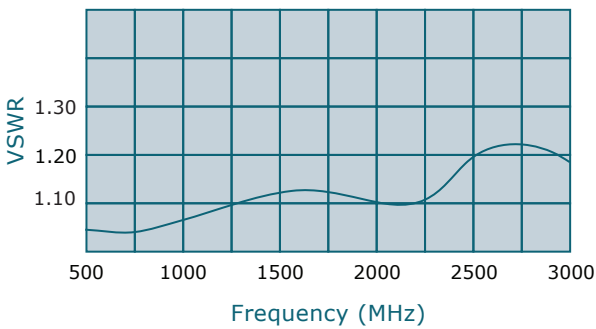
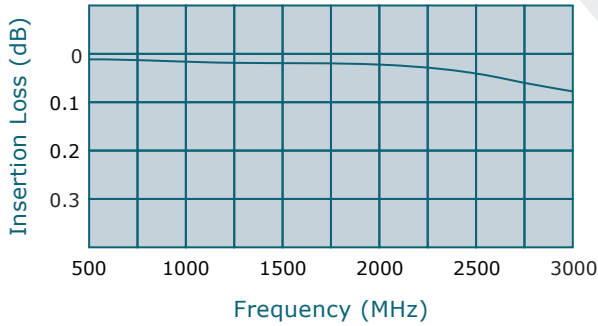
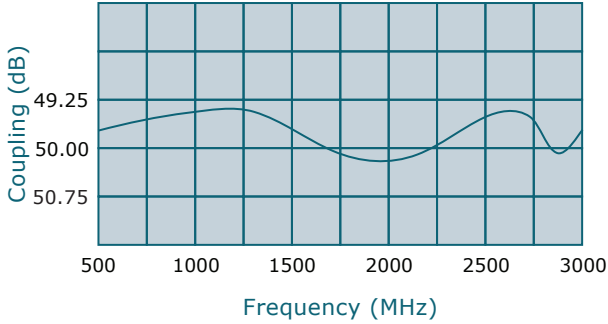
SINCE 1965

Werlatone, Inc.
17 Jon Barrett Road
Patterson, New York 12563
T 845.278.2220
F 845.278.3440
www.werlatone.com



50 dB Dual Directional Coupler

Model C6265



Frequency: 500-3000 MHz

Power: 500 W CW

Coupling: 50 dB ± 1.0 dB Nom.

Insertion Loss: 0.2 dB Max.

VSWR: 1.30:1 Max.

Flatness: +/- 0.75 dB Max.

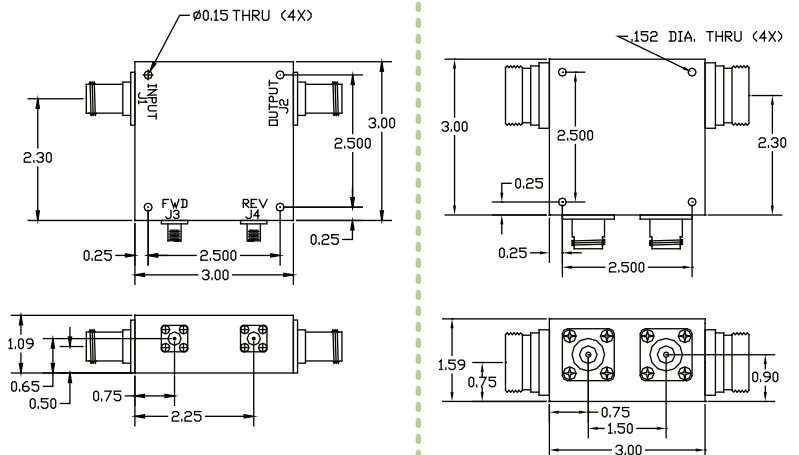
Directivity: 20 dB Min.

**Mismatch Tolerant® Design*

- All specifications guaranteed.
- Test data provided with each unit shipped.
- Uni-Directional version available.
- * Designed to operate, at rated power, into an infinite VSWR.

Connector Configurations		
Model	J1,J2 (Mainline)	J3,J4 (Coupled Port)
C6265-10	N Female	N Female
C6265-12	N Female	SMA
C6265-13	N Female	BNC
C6265-22**	7/16 Female	N Female

**Case height increases from 1.09" to 1.59" to support larger connector flange.



**Subject to change without notice

high power RF devices