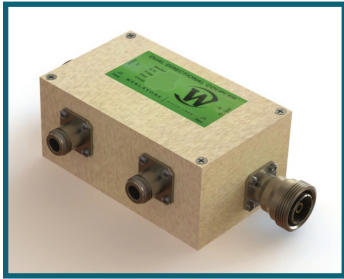




WERLATONE

SINCE 1965

Werlatone, Inc.
17 Jon Barrett Road
Patterson, New York 12563
T 845.278.2220
F 845.278.3440
www.werlatone.com



50 dB Dual Directional Coupler

Model C6238

Frequency: 1.5 - 30 MHz

Power: 5000 W CW

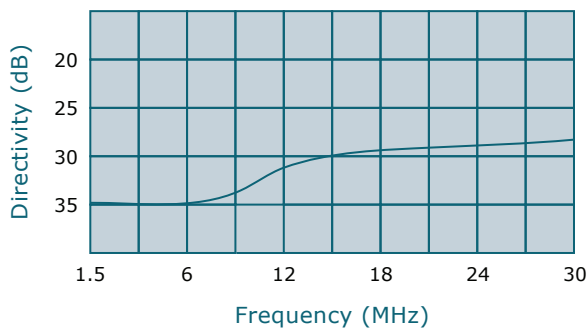
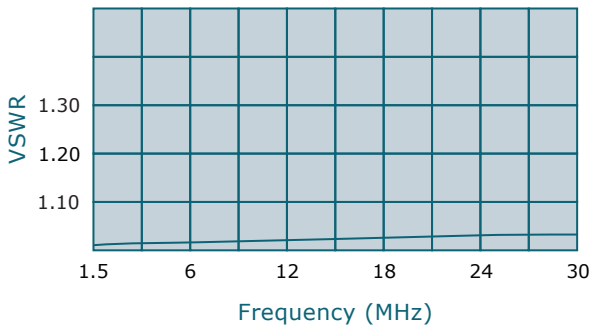
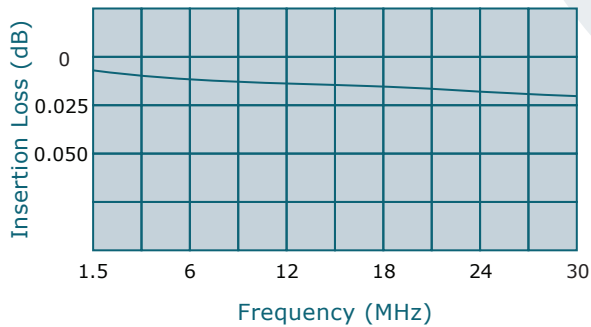
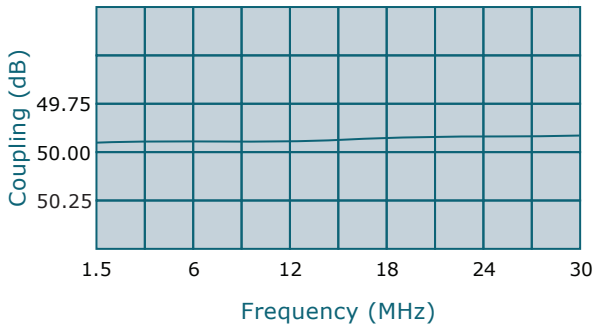
Coupling: 50 dB ± 1.0 dB Nom.

Insertion Loss: 0.05 dB Max.

VSWR: 1.10:1 Max.

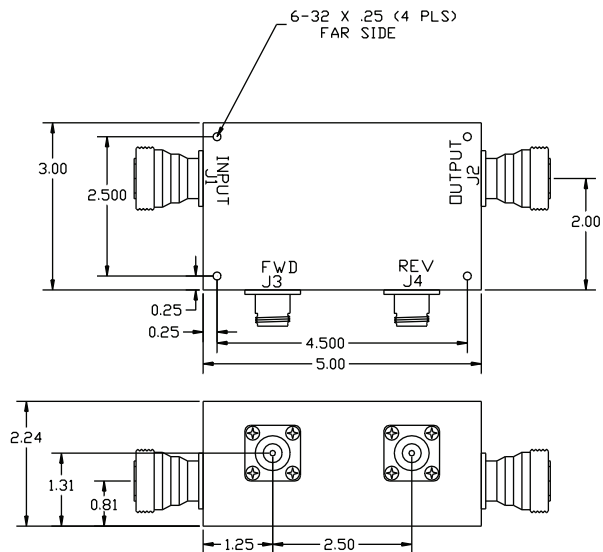
Flatness: +/-0.3 dB Max.

Directivity: 25 dB Min.



- All specifications guaranteed.
- Test data provided with each unit shipped.
- Uni-Directional version available.
- Alternate connector configurations upon request.

Connector Configurations		
Model	J1,J2 (Mainline)	J3,J4 (Coupled Port)
C6238-10	N Female	N Female
C6238-12	N Female	SMA
C6238-13	N Female	BNC
C6238-20	7/16 Female	N Female



**Subject to change without notice