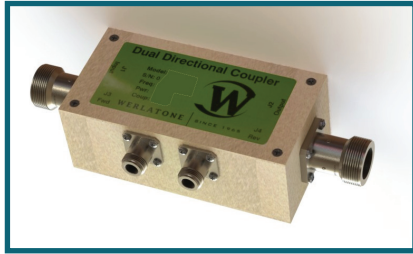




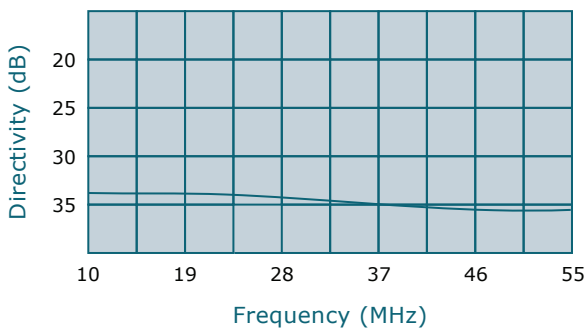
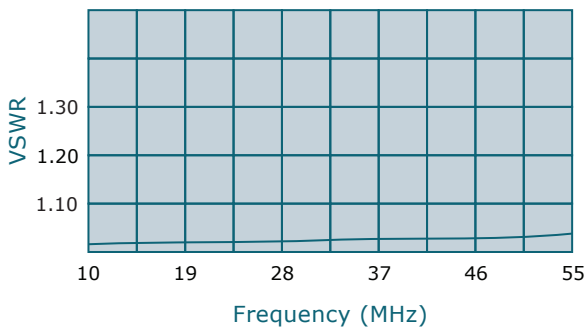
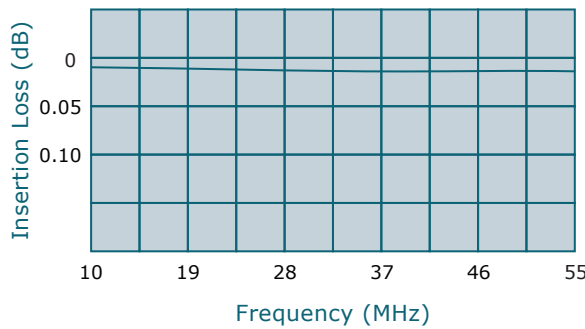
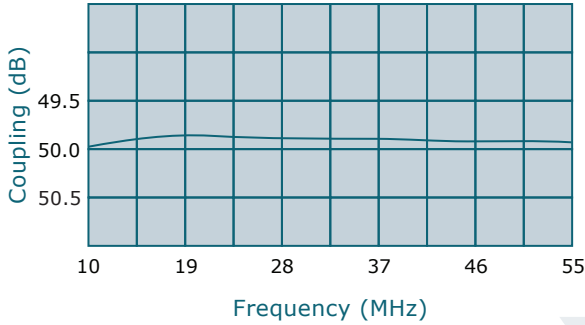
WERLATONE

SINCE 1965

Werlatone, Inc.  
17 Jon Barrett Road  
Patterson, New York 12563  
T 845.278.2220  
F 845.278.3440  
www.werlatone.com



## 50 dB Dual Directional Coupler Model C3900



Frequency: 10 - 55 MHz

Power: 10,000 W CW

Coupling: 50 dB ± 1.0 dB Nom.

Insertion Loss: 0.05 dB Max.

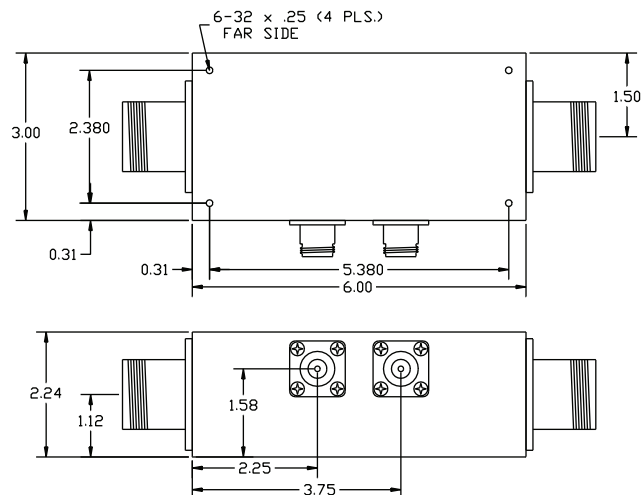
VSWR: 1.20:1 Max.

Flatness: +/-0.5 dB Max.

Directivity: 30 dB Min.

- All specifications guaranteed.
- Test data provided with each unit shipped.
- Uni-Directional version available.
- Alternate connector configurations upon request.

Connector Configurations		
Model	J1,J2 (Mainline)	J3,J4 (Coupled Port)
C3900-30	LC Female	N Female
C3900-32	LC Female	SMA
C3900-33	LC Female	BNC
C3900-501	SQS Female	N Female



\*\*Subject to change without notice

high power RF devices