



WERLATONE

SINCE 1965

Werlatone, Inc.
17 Jon Barrett Road
Patterson, New York 12563
T 845.278.2220
F 845.278.3440
www.werlatone.com



50 dB Dual Directional Coupler

Model C5951

Frequency: 20 - 150 MHz

Power: 3,000 W CW

Coupling: 50 dB ± 1.0 dB Nom.

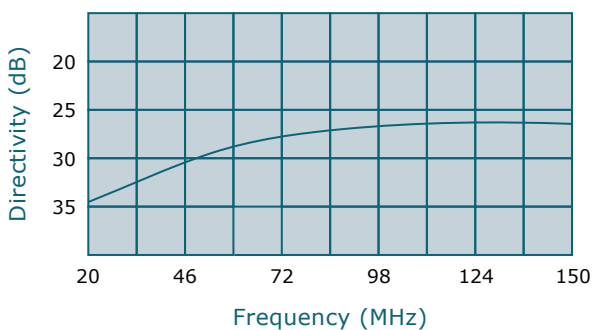
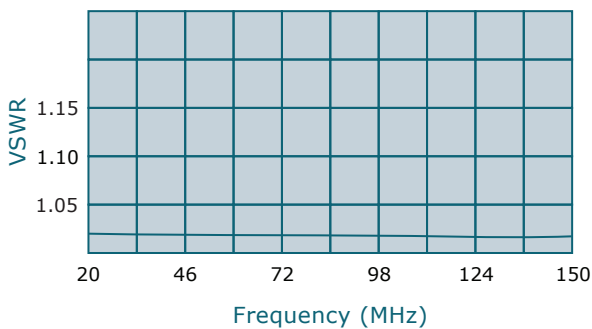
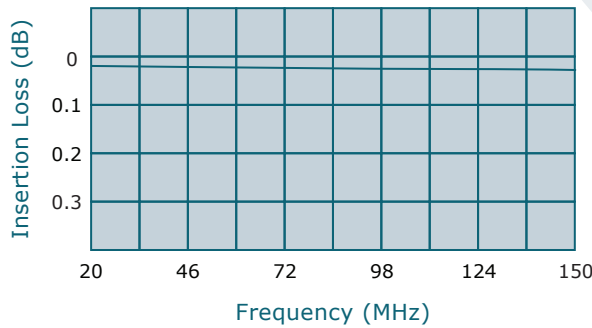
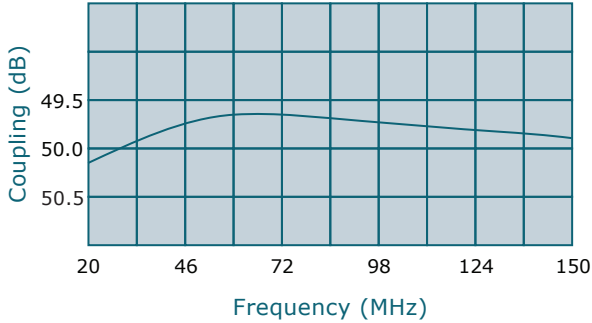
Insertion Loss: 0.1 dB Max.

VSWR: 1.05:1 Max.

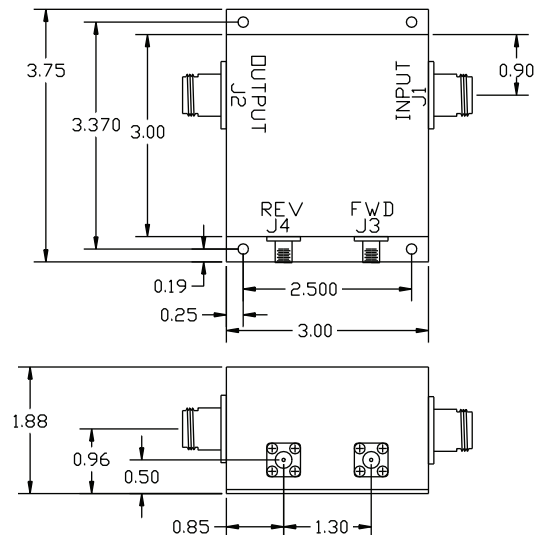
Flatness: +/- 0.5 dB Max.

Directivity: 25 dB Min.

- All specifications guaranteed.
- Test data provided with each unit shipped.
- Uni-Directional version available.



Connector Configurations		
Model	J1,J2 (Mainline)	J3,J4 (Coupled Port)
C5951-10	N Female	N Female
C5951-12	N Female	SMA
C5951-13	N Female	BNC
C5951-43	SC Female	SMA



**Subject to change without notice

high power RF devices