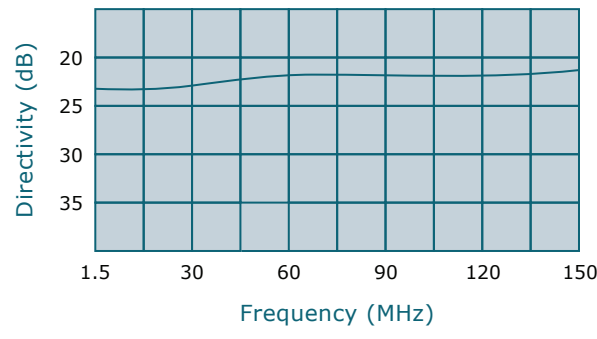
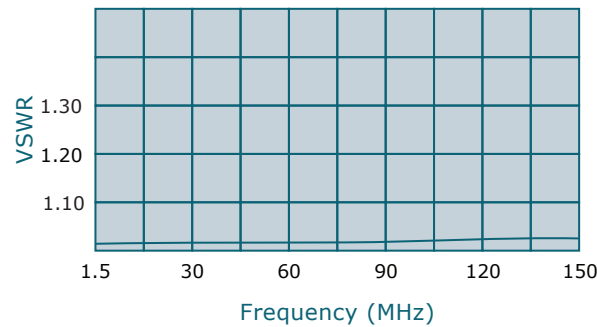
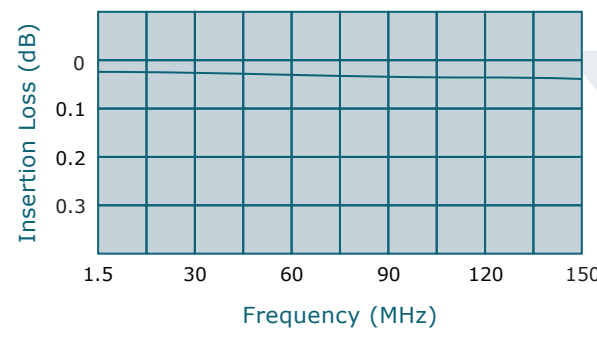
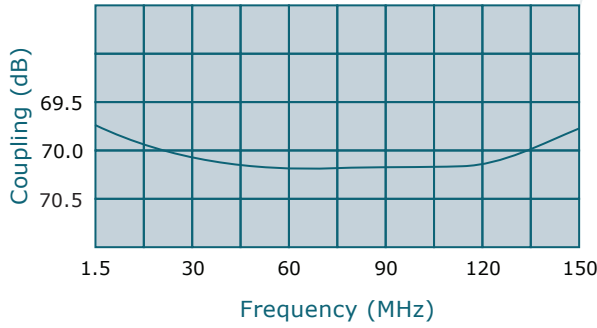




Werlatone, Inc.
17 Jon Barrett Road
Patterson, New York 12563
T 845.278.2220
F 845.278.3440
www.werlatone.com

70 dB Dual Directional Coupler

Model C5104



Frequency: 1.5 - 150 MHz

Power: 4,000 W CW

Coupling: 70 dB ± 1.0 dB Nom.

Insertion Loss: 0.1 dB Max.

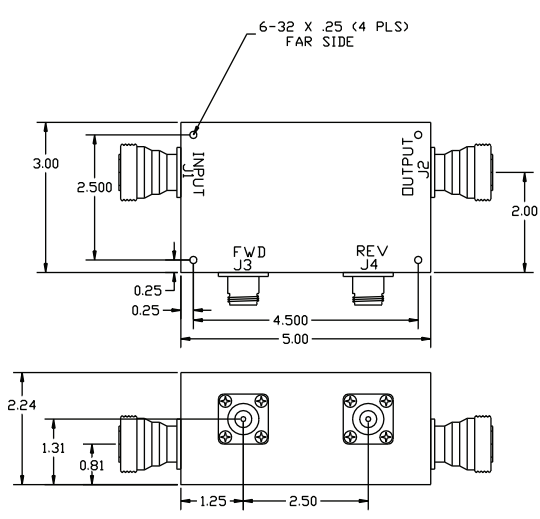
VSWR: 1.20:1 Max.

Flatness: +/-0.75 dB Max.

Directivity: 20 dB Min.

- All specifications guaranteed.
- Test data provided with each unit shipped.
- Uni-Directional version available.

Connector Configurations		
Model	J1,J2 (Mainline)	J3,J4 (Coupled Port)
C5104-10	N Female	N Female
C5104-12	N Female	SMA
C5104-13	N Female	BNC
C5104-20	7/16 Female	N Female



**Subject to change without notice