



WERLATONE

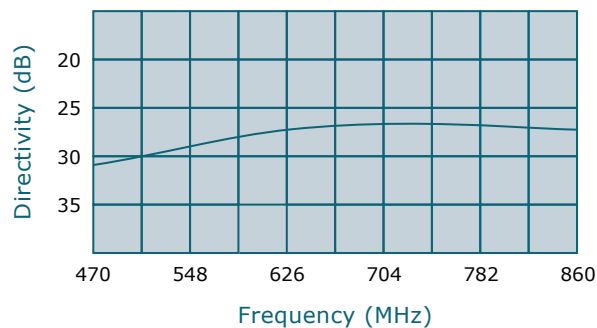
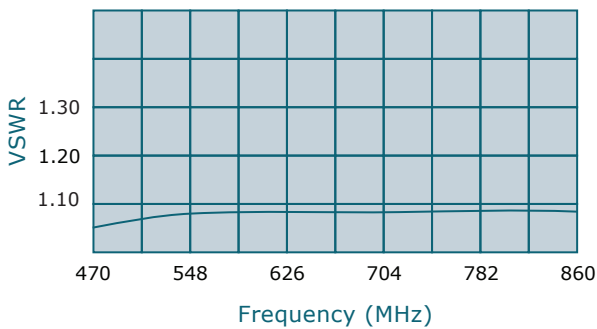
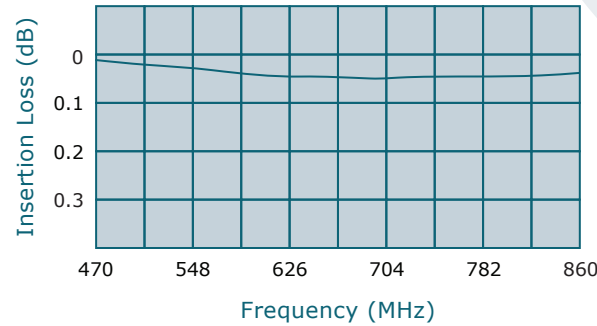
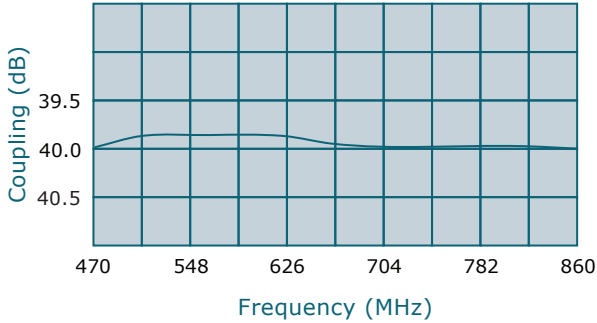
SINCE 1965

Werlatone, Inc.
17 Jon Barrett Road
Patterson, New York 12563
T 845.278.2220
F 845.278.3440
www.werlatone.com



40 dB Dual Directional Coupler

Model C5560



Frequency: 470 - 860 MHz

Power: 500 W CW

Coupling: 40 dB \pm 1.0 dB Nom.

Insertion Loss: 0.1 dB Max.

VSWR: 1.10:1 Max.

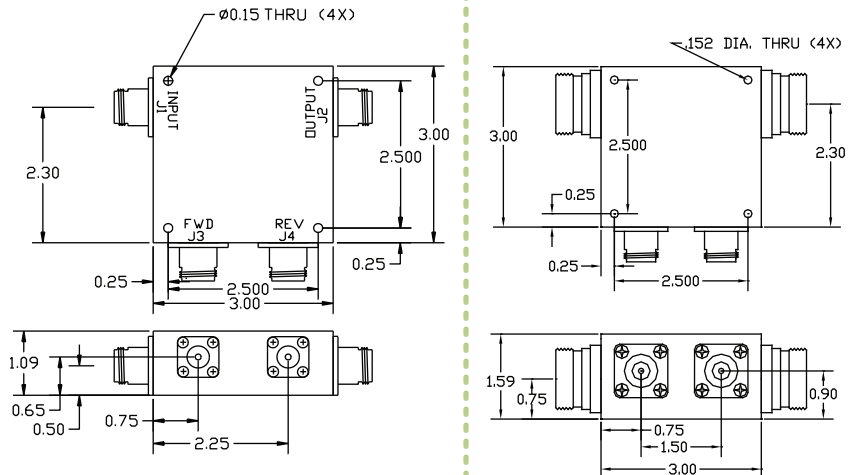
Flatness: \pm 0.2 dB Max.

Directivity: 25 dB Min.

- All specifications guaranteed.
- Test data provided with each unit shipped.
- Uni-Directional version available.
- * Designed to operate, at 250W CW, into an infinite VSWR.

Connector Configurations		
Model	J1,J2 (Mainline)	J3,J4 (Coupled Port)
C5560-10	N Female	N Female
C5560-12	N Female	SMA
C5560-13	N Female	BNC
C5560-22*	7/16 Female	SMA

**Case height increases from 1.09" to 1.59" to support larger connector flange.



**Subject to change without notice

high power RF devices