



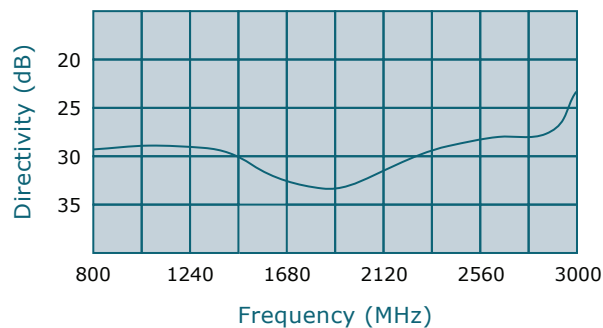
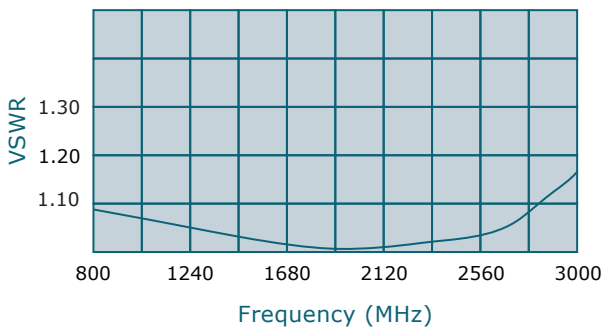
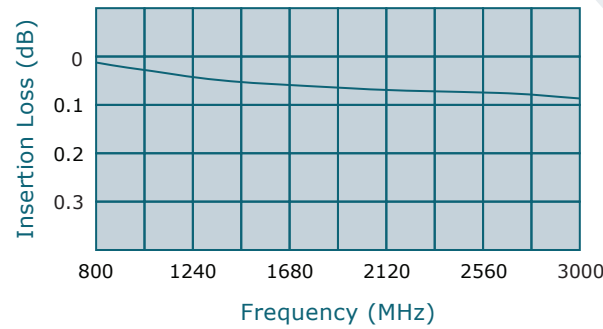
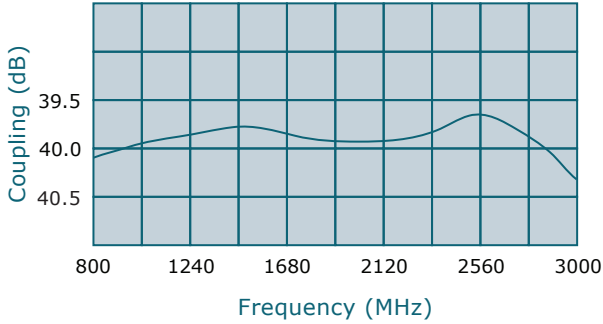
WERLATONE

SINCE 1965

Werlatone, Inc.
17 Jon Barrett Road
Patterson, New York 12563
T 845.278.2220
F 845.278.3440
www.werlatone.com



40 dB Dual Directional Coupler Model C6721



Frequency: 800 - 3000 MHz

Power: 400 W CW

Coupling: 40 dB ± 1.0 dB Nom.

Insertion Loss: 0.2 dB Max.

VSWR: 1.30:1 Max.

Flatness: +/- 0.75 dB Max.

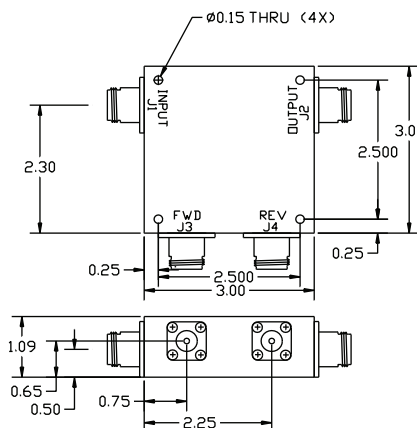
Directivity: 20 dB Min.

**Mismatch Tolerant®* Design

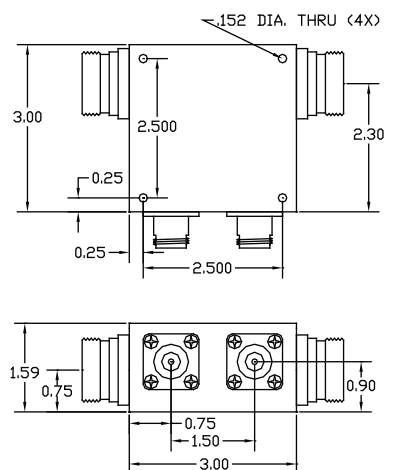
- All specifications guaranteed.
- Test data provided with each unit shipped.
- Uni-Directional version available.
- * Designed to operate, at 200 W CW, into an infinite VSWR.

Connector Configurations

Model	J1,J2 (Mainline)	J3,J4 (Coupled Port)
C6721-10	N Female	N Female
C6721-12	N Female	SMA
C6721-20*	7/16 Female	N Female
C6721-22*	7/16 Female	SMA



(* Note height increase to accommodate 7/16 Female Connectors



**Subject to change without notice

high power RF devices