



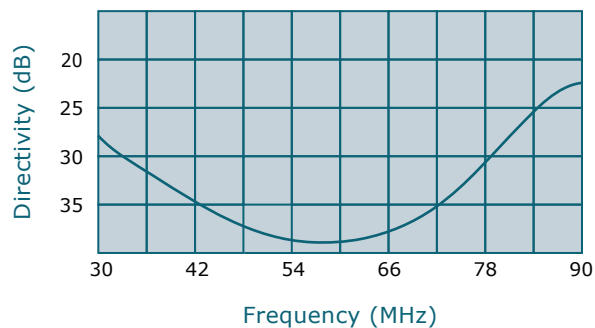
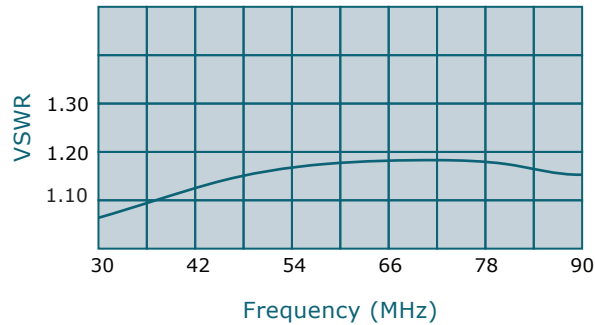
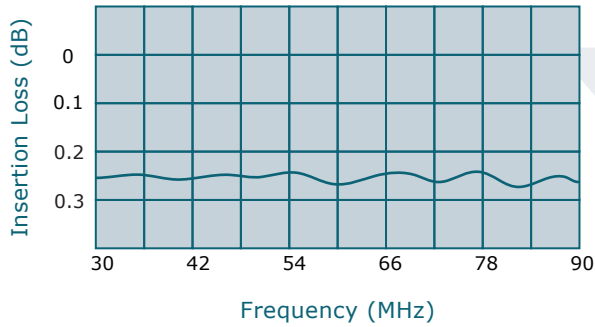
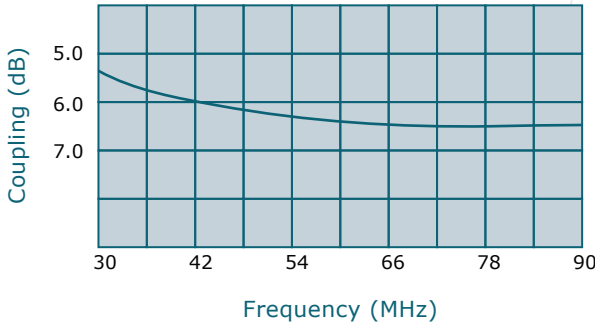
WERLATONE

SINCE 1965

Werlatone, Inc.
17 Jon Barrett Road
Patterson, New York 12563
T 845.278.2220
F 845.278.3440
www.werlatone.com

6 dB Uni-Directional Coupler

Model C7118



Frequency: 30-90 MHz

Power: 400 W CW

Coupling: 6.0 dB \pm 1.0 dB Nom.

Insertion Loss: 0.20 dB Max.*

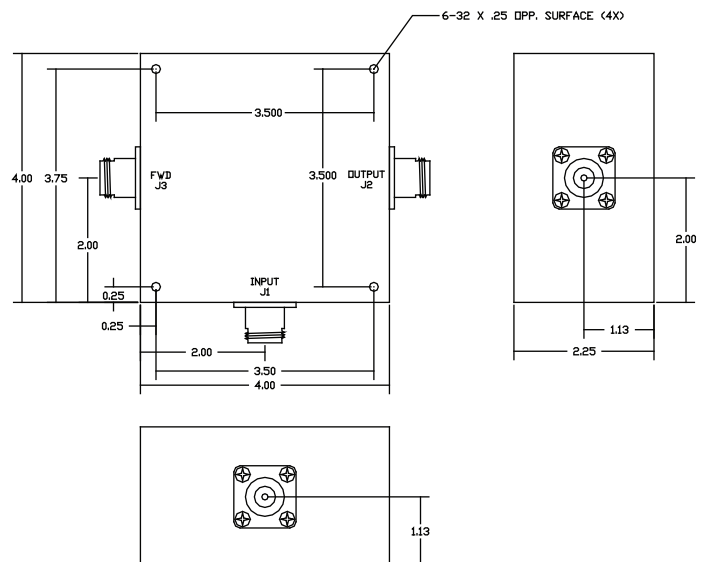
VSWR: 1.30:1 Max.

Flatness: \pm 0.5 dB Max.

Directivity: 20 dB Min.

- * Does not include Theoretical Coupling Loss.
- All specifications guaranteed.
- Test data provided with each unit shipped.

Connector Configurations		
Model	J1,J2 (Mainline)	J3 (Coupled Port)
C7118-10	N Female	N Female
C7118-12	N Female	SMA
C7118-102	SMA	SMA



**Subject to change without notice

high power RF devices