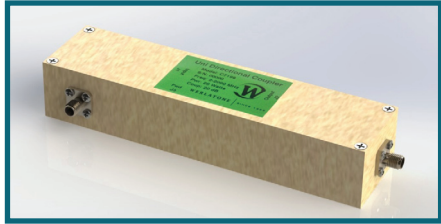




WERLATONE

SINCE 1965

Werlatone, Inc.
17 Jon Barrett Road
Patterson, New York 12563
T 845.278.2220
F 845.278.3440
www.werlatone.com



20 dB Uni Directional Coupler

Model C7199

Frequency: 2-2000 MHz

Power: 20 W CW

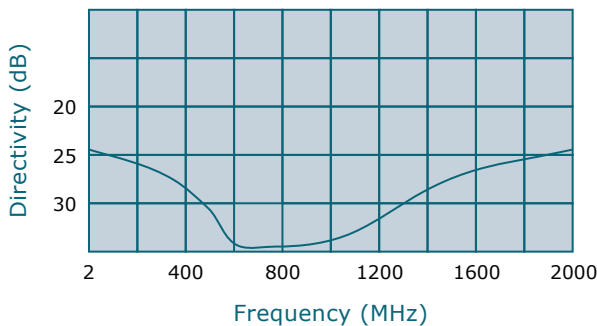
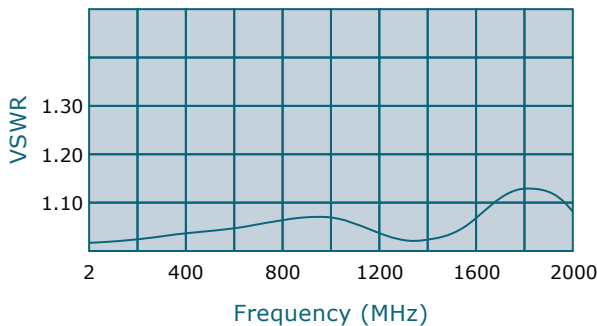
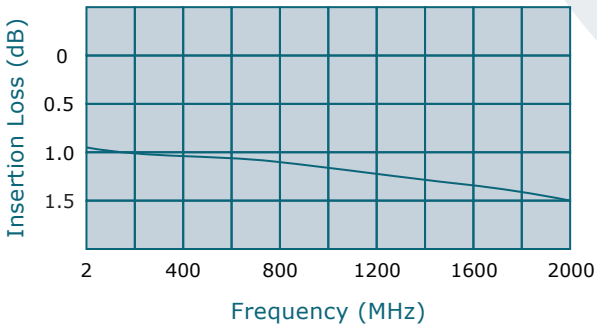
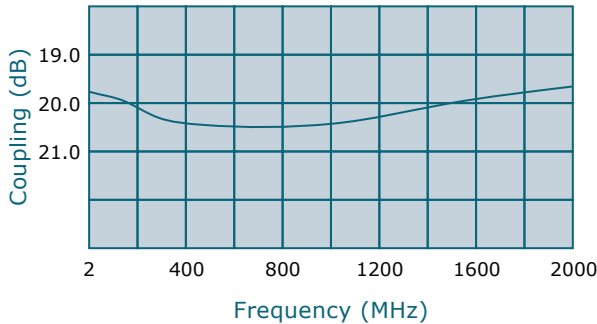
Coupling: 20 dB \pm 1.0 dB Nom.

Insertion Loss: 1.75 dB Max.

VSWR: 1.25:1 Max.

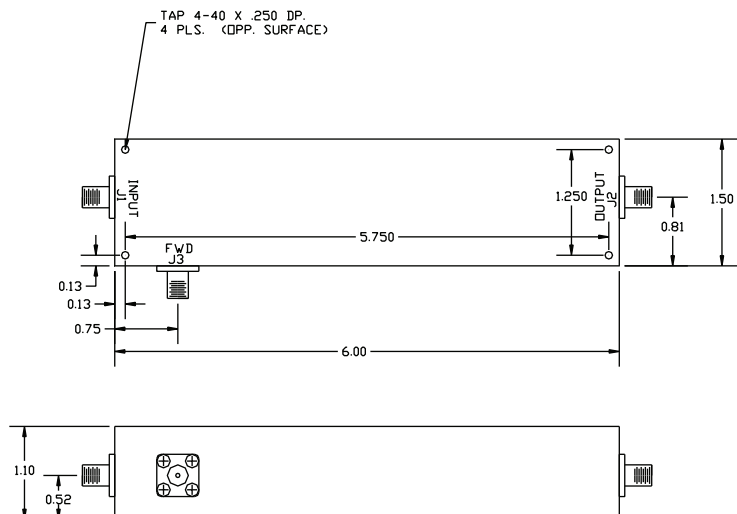
Flatness: \pm 1.0 dB Max.

Directivity: 20 dB Min.



- All specifications guaranteed.
- Test data provided with each unit shipped.
- Designed to operate, at rated power, into an infinite VSWR.

Connector Configurations			
Model	J1 (Input)	J2 (Output)	J3 (Fwd Port)
C7199-10	N Female	N Female	N Female
C7199-12	N Female	SMA	SMA
C7199-102	SMA	SMA	SMA



high power RF devices

**Subject to change without notice