



WERLATONE

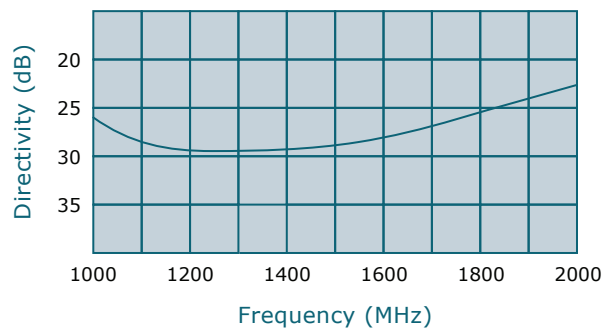
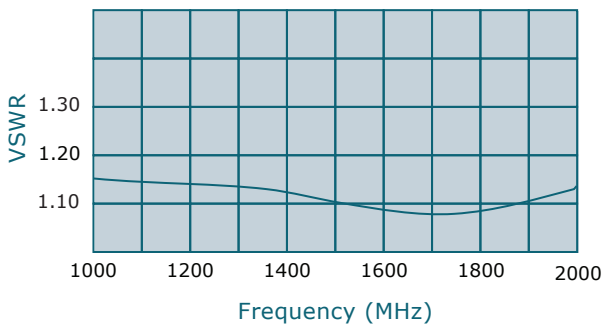
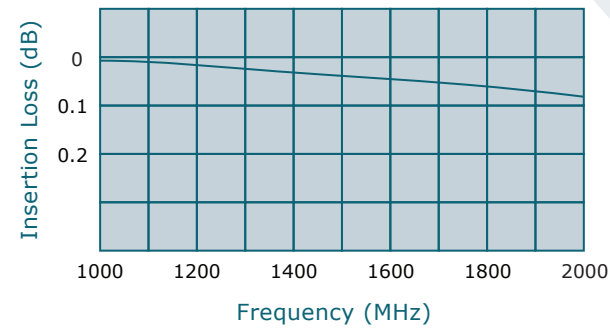
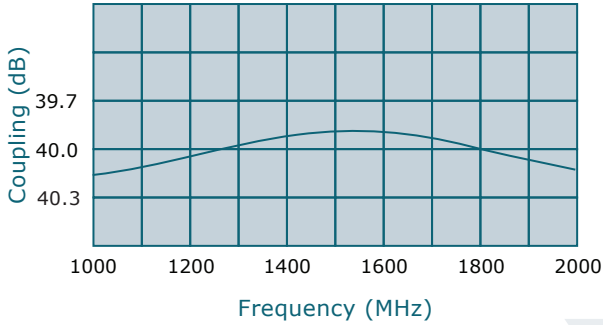
SINCE 1965

Werlatone, Inc.
 17 Jon Barrett Road
 Patterson, New York 12563
 T 845.278.2220
 F 845.278.3440
 www.werlatone.com



40 dB Dual Directional Coupler

Model C7343

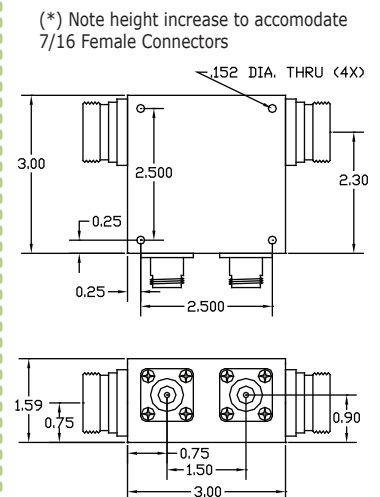
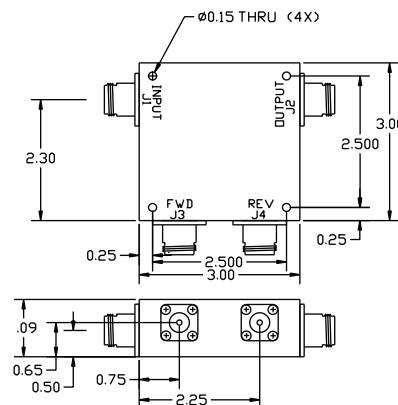


- Frequency: 1000 - 2000 MHz
- Power: 1000 W CW
- Coupling: 40 dB ± 1.0 dB Nom.
- Insertion Loss: 0.2 dB Max.
- VSWR: 1.30:1 Max.
- Flatness: +/- 0.3 dB Max.
- Directivity: 20 dB Min.

*Mismatch Tolerant® Design

- All specifications guaranteed.
- Test data provided with each unit shipped.
- Uni-Directional version available.
- * Designed to operate, at rated power, into an infinite VSWR.

Connector Configurations		
Model	J1,J2 (Mainline)	J3,J4 (Coupled Port)
C7343-22*	7/16 Female	N Female
C7343-43	SC Female	SMA
C7343-301	TNC Female	N Female
C7343-302	TNC Female	SMA



(* Note height increase to accommodate 7/16 Female Connectors

**Subject to change without notice