



WERLATONE

SINCE 1965

Werlatone, Inc.  
17 Jon Barrett Road  
Patterson, New York 12563  
T 845.278.2220  
F 845.278.3440  
www.werlatone.com



## 60 dB Dual Directional Coupler

### Model C5353

Frequency: 80 - 1000 MHz

Power: 3,000 W CW

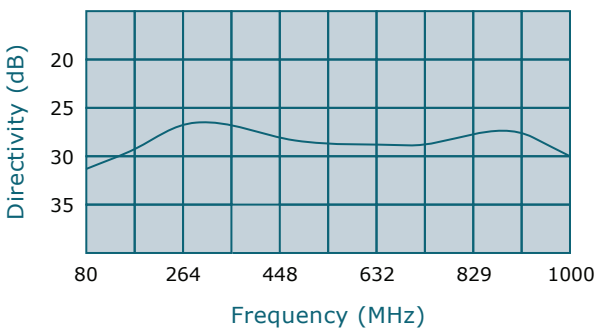
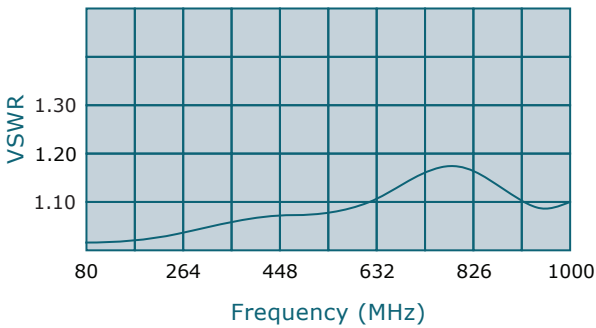
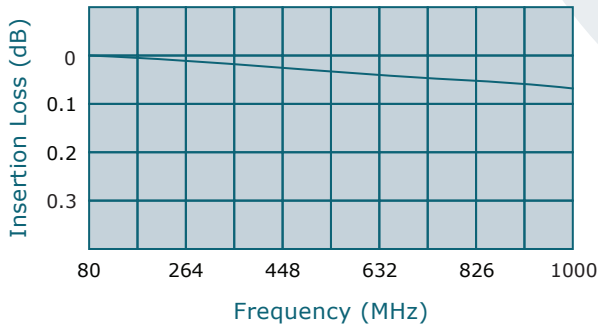
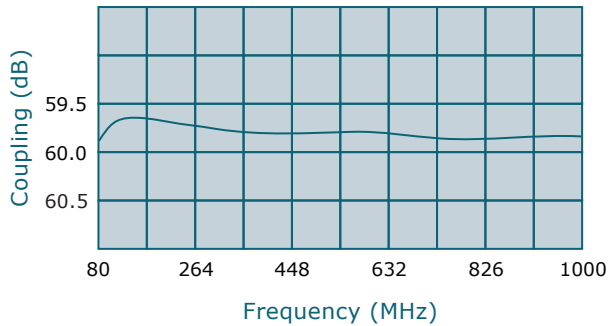
Coupling: 60 dB ± 1.0 dB Nom.

Insertion Loss: 0.2 dB Max.

VSWR: 1.25:1 Max.

Flatness: +/-0.5 dB Max.

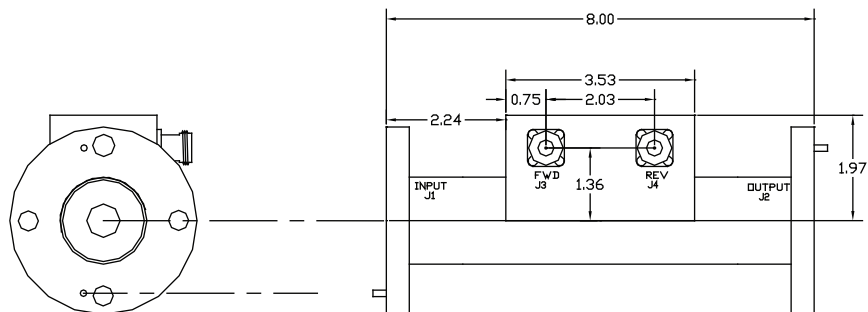
Directivity: 20 dB Min.



#### \*Mismatch Tolerant® Design

- All specifications guaranteed.
- Test data provided with each unit shipped.
- Uni-Directional version available.
- \* Designed to operate, at rated power, into an infinite VSWR.

Connector Configurations		
Model	J1,J2 (Mainline)	J3,J4 (Coupled Port)
C5353-81	1 5/8" EIA	N Female
C5353-82	1 5/8" EIA	N Male



high power RF devices

\*\*Subject to change without notice