



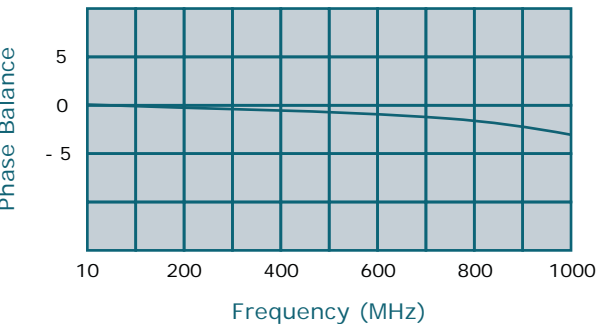
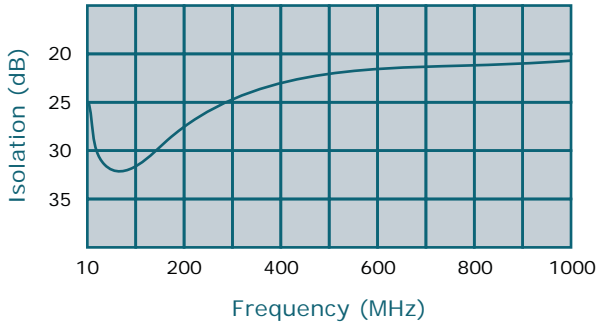
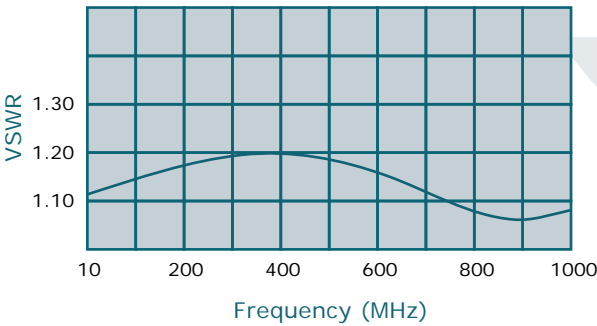
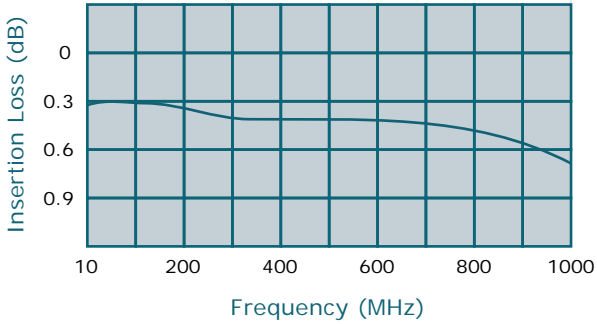
WERLATONE

SINCE 1965

Werlatone, Inc.
17 Jon Barrett Road
Patterson, New York 12563
T 845.278.2220
F 845.278.3440
www.werlatone.com

2-Way Combiner/Divider

Model D6233



Frequency: 10 - 1000 MHz

Power: 25 W CW

Insertion Loss: 0.75 dB Max.

VSWR: 1.35:1 Max.

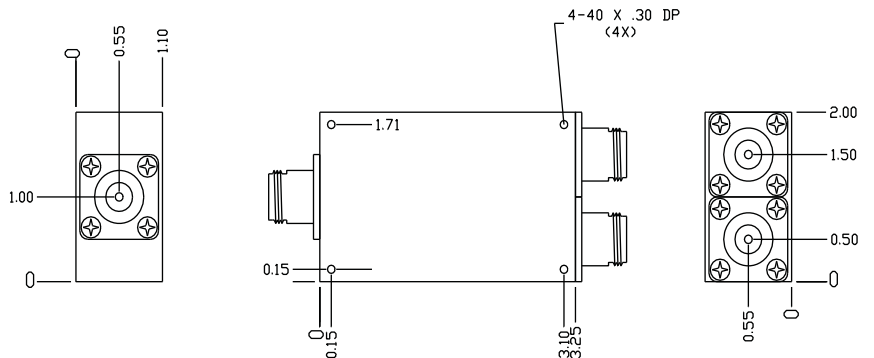
Isolation: 20 dB Min.

Phase Balance: 5 Deg. Max.

Amplitude Balance: 0.3 dB Max.

- All specifications guaranteed.
- Test data provided with each unit shipped.
- Alternate connector configurations upon request.

Connector Configuration		
Model	(Sum Port)	(Input/Output)
D6233-10	N Female	N Female
D6233-12	N Female	SMA
D6233-13	N Female	BNC



**Subject to change without notice

high power RF devices