



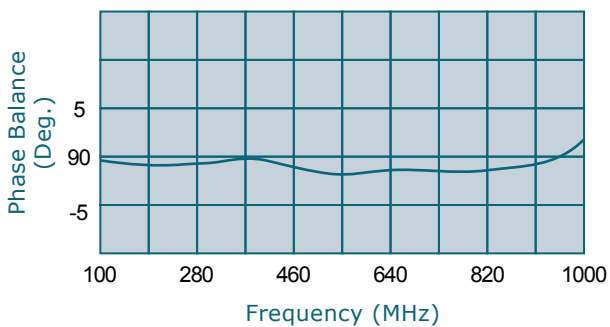
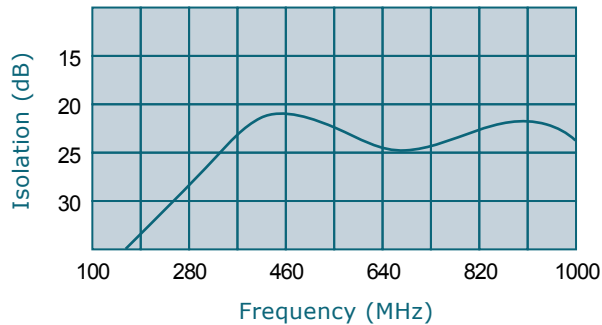
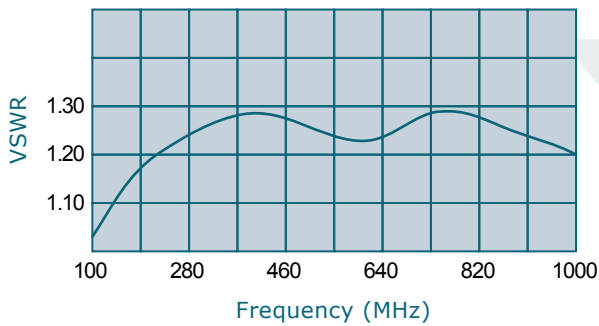
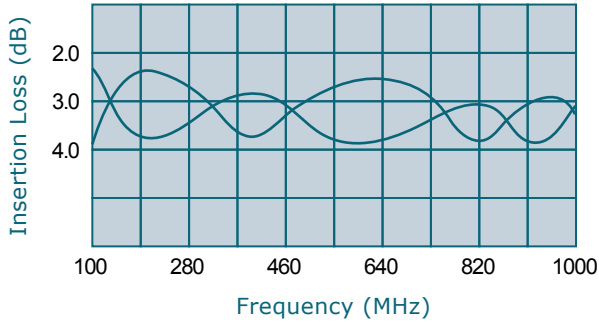
WERLATONE

SINCE 1965

Werlatone, Inc.  
17 Jon Barrett Road  
Patterson, New York 12563  
T 845.278.2220  
F 845.278.3440  
www.werlatone.com

## 2-Way (90 Deg.) Combiner/Divider

### Model QH7349



Frequency: 100-1000 MHz

Power: 50 W CW

Insertion Loss: 0.6 dB Max.

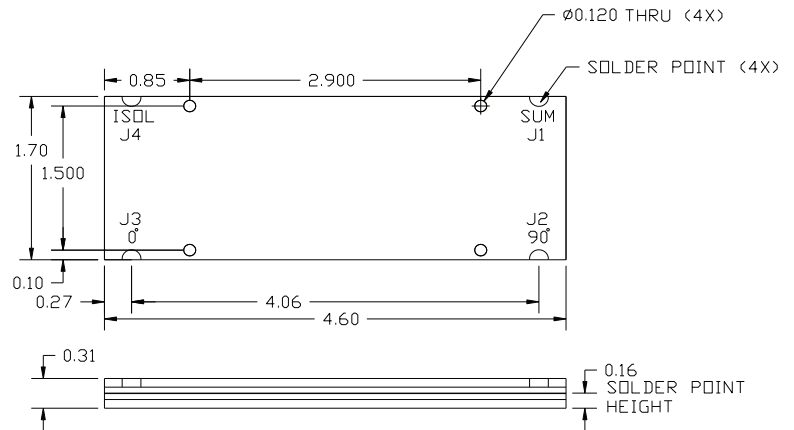
VSWR: 1.30:1 Max.

Isolation: 20 dB Min.

Phase Balance: 90 +/- 5 Deg. Max.

Amplitude Balance: 3 dB +/- 1 dB Max.

- All specifications guaranteed.
- Test data provided with each unit shipped.
- Connectorized version available.



high power RF devices