



WERLATONE

SINCE 1965

Werlatone, Inc.
17 Jon Barrett Road
Patterson, New York 12563
T 845.278.2220
F 845.278.3440
www.werlatone.com

20 dB Bi Directional Coupler

Model C7753

Frequency: 700 - 4200 MHz

Power: 100 W CW (1 kW Peak)

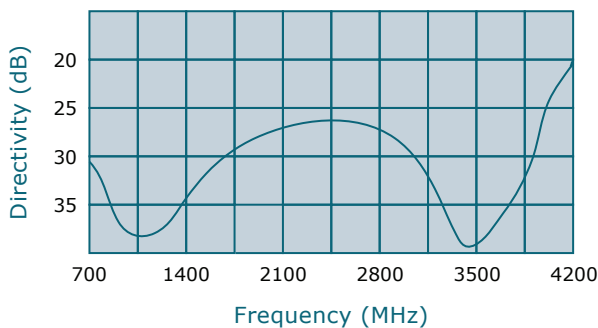
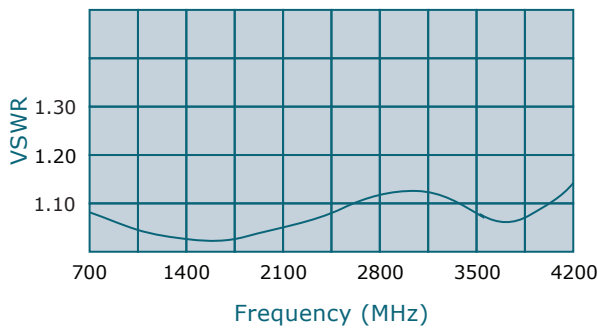
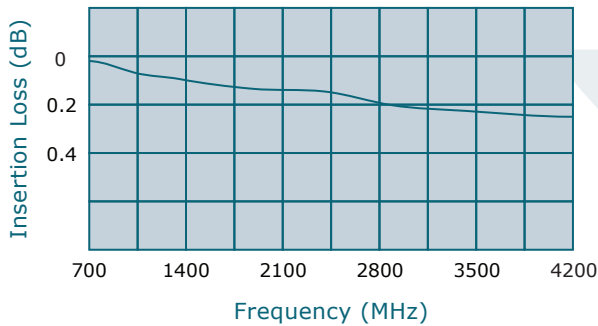
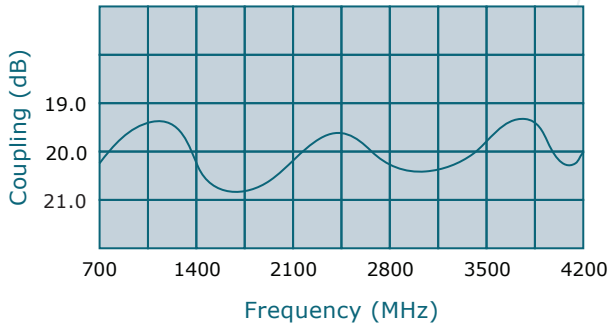
Coupling: 20 dB ± 1.0 dB Nom.

Insertion Loss: 0.35 dB Max.

VSWR: 1.25:1 Max.

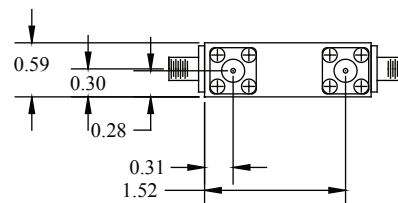
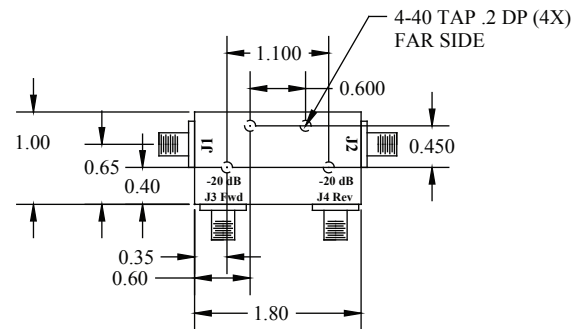
Flatness: +/-1.0 dB Max.

Directivity: 18 dB Min.



- Test data provided with each unit shipped.

Connector Configurations		
Model	J1,J2 (Mainline)	J3,J4 (Coupled Port)
C7753-102	SMA	SMA



**Subject to change without notice