



WERLATONE

SINCE 1965

Werlatone, Inc.
17 Jon Barrett Road
Patterson, New York 12563
T 845.278.2220
F 845.278.3440
www.werlatone.com

20 dB Bi-Directional Coupler

Model C6600

Frequency: 200-2000 MHz

Power: 200 W CW

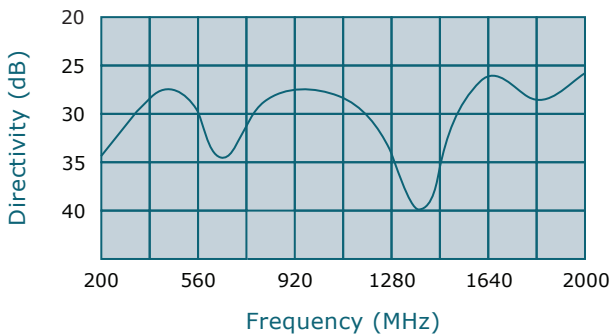
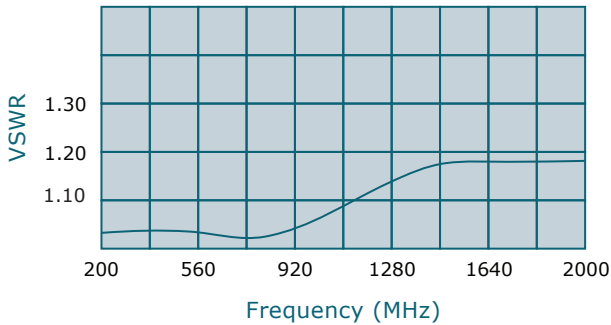
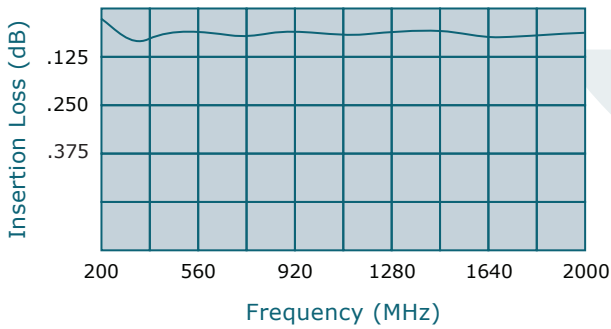
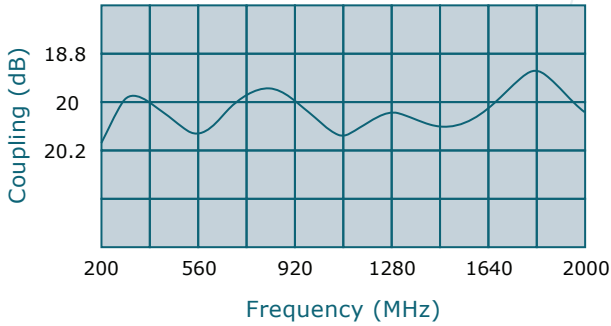
Coupling: 20 dB ± 1.0 dB Nom.

Insertion Loss: 0.25 dB Max.

VSWR: 1.25:1 Max.

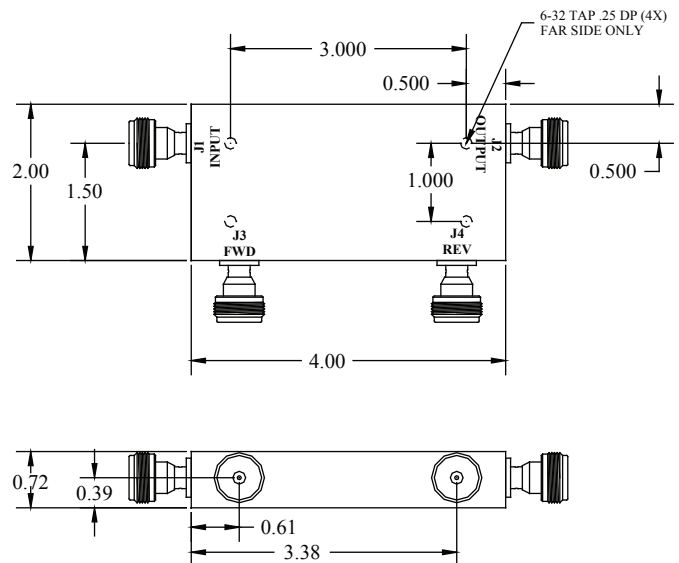
Flatness: +/- 1.2 dB Max.

Directivity: 18 dB Min.



- All specifications guaranteed.
- Test data provided with each unit shipped.

Connector Configurations		
Model	J1,J2 (Mainline)	J3,J4 (Coupled Port)
C6600-10	N Female	N Female
C6600-12	N Female	SMA
C6600-102	SMA	SMA



**Subject to change without notice

high power RF devices