



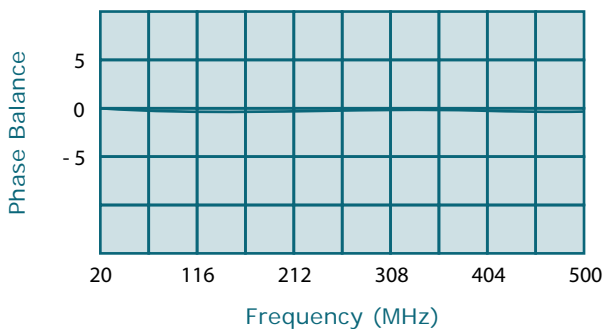
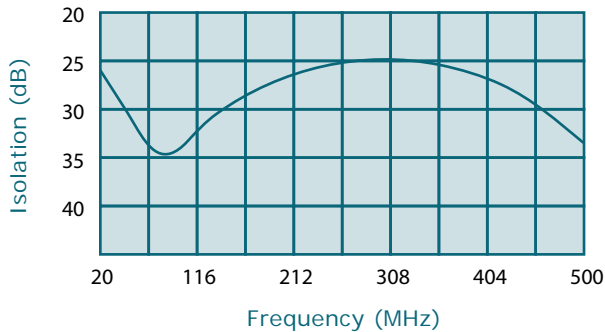
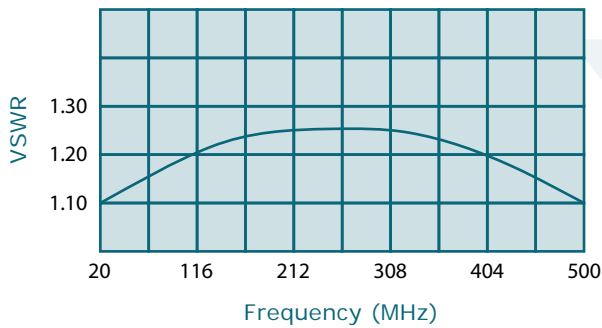
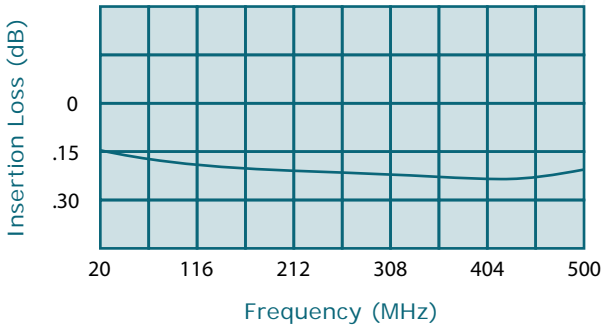
WERLATONE

SINCE 1965

Werlatone, Inc.
17 Jon Barrett Road
Patterson, New York 12563
T 845.278.2220
F 845.278.3440
www.werlatone.com

2-Way Combiner/Divider

Model D7896



Frequency: 20-500 MHz

Power: 200 W CW

Insertion Loss: 0.35 dB Max.

VSWR: 1.30:1 Max.

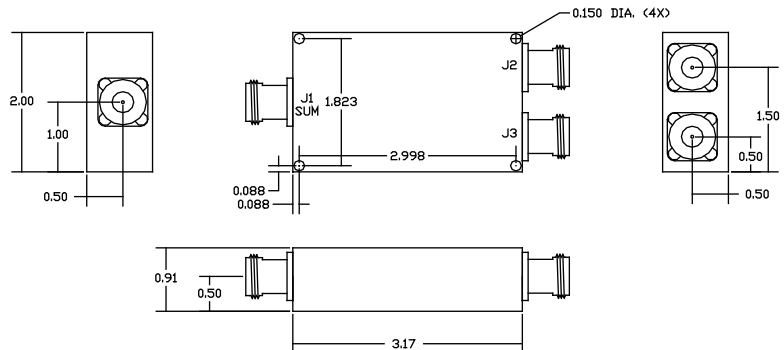
Isolation: 20 dB Min.

Phase Balance: 5 Deg. Max.

Amplitude Balance: 0.2 dB Max.

- All specifications guaranteed.
- Test data provided with each unit shipped.
- Alternate connector configurations upon request.

	Connectors	
Model	J1	J2,J3
D7896-10	N Female	N Female
D7896-12	N Female	SMA
D7896-13	N Female	BNC
D7896-102	SMA	SMA



**Subject to change without notice

high power RF devices