



WERLATONE

SINCE 1965

Werlatone, Inc.
17 Jon Barrett Road
Patterson, New York 12563
T 845.278.2220
F 845.278.3440
www.werlatone.com

2-Way Combiner/Divider

Model D7745

Frequency: 20-1000 MHz

Power: 100 W CW

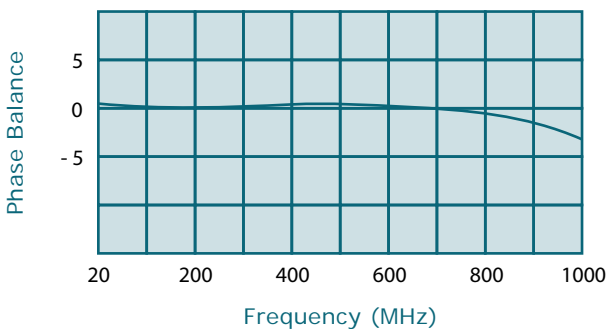
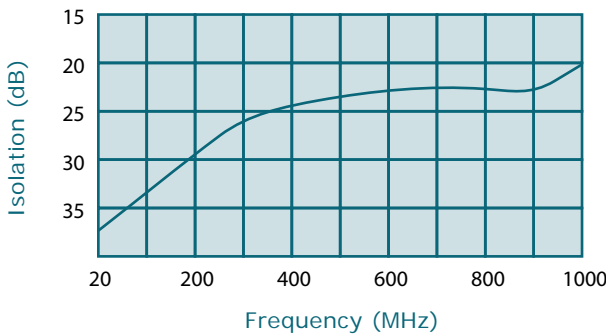
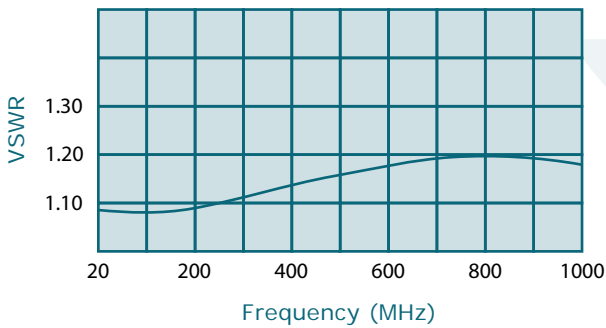
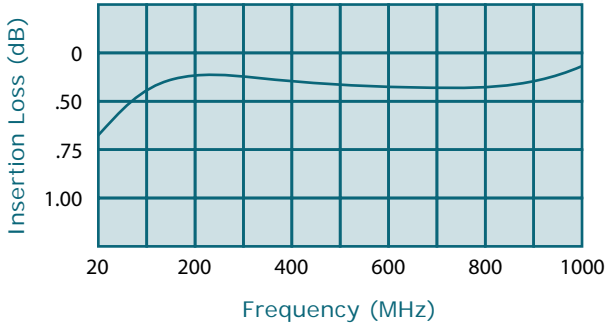
Insertion Loss: 0.75 dB Max.

VSWR: 1.30:1 Max.

Isolation: 18 dB Min.

Phase Balance: 5 Deg. Max.

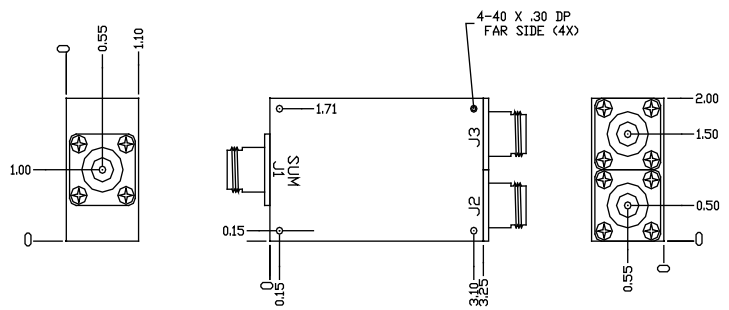
Amplitude Balance: 0.3 dB Max.



- All specifications guaranteed.
- Test data provided with each unit shipped.
- Alternate connector configurations upon request.

Connectors

Model	J1	J2, J3
D7745-10	N Female	N Female
D7745-12	N Female	SMA



**Subject to change without notice

high power RF devices