



WERLATONE

SINCE 1965

Werlatone, Inc.
17 Jon Barrett Road
Patterson, New York 12563
T 845.278.2220
F 845.278.3440
www.werlatone.com

2-Way 180° Combiner/Divider

Model H7877

Frequency: 400 - 2000 MHz

Power: 350 W CW

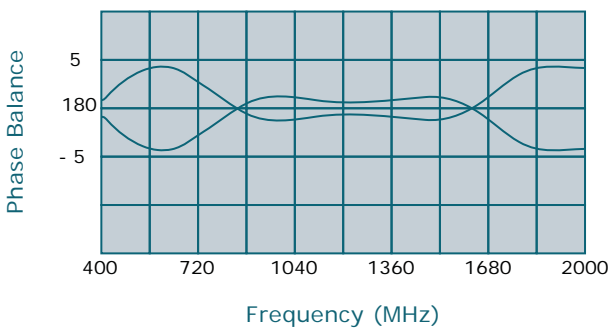
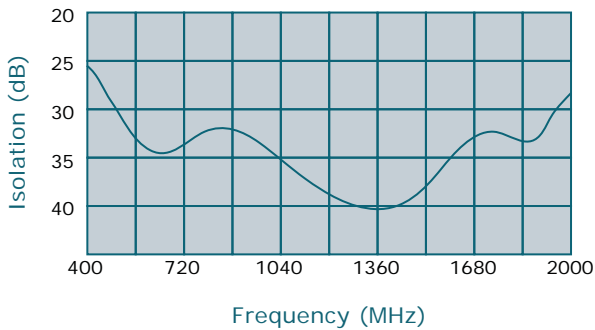
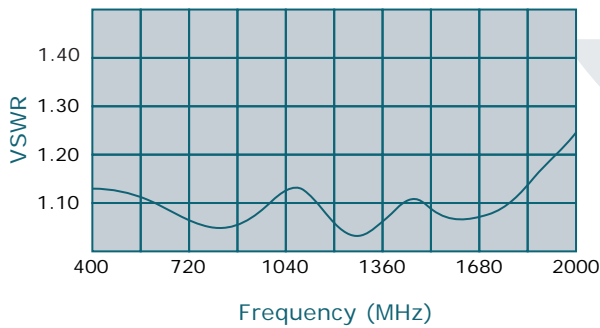
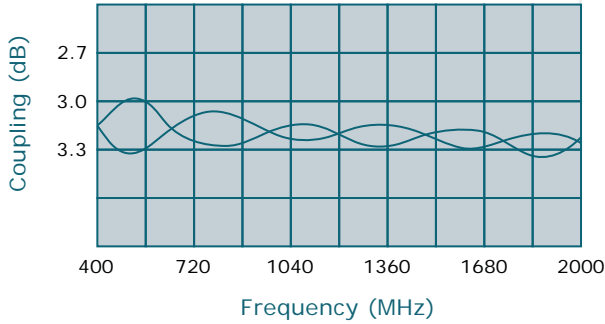
Insertion Loss: 0.35 dB Max.

VSWR: 1.25:1 Max.

Isolation: 20 dB Min.

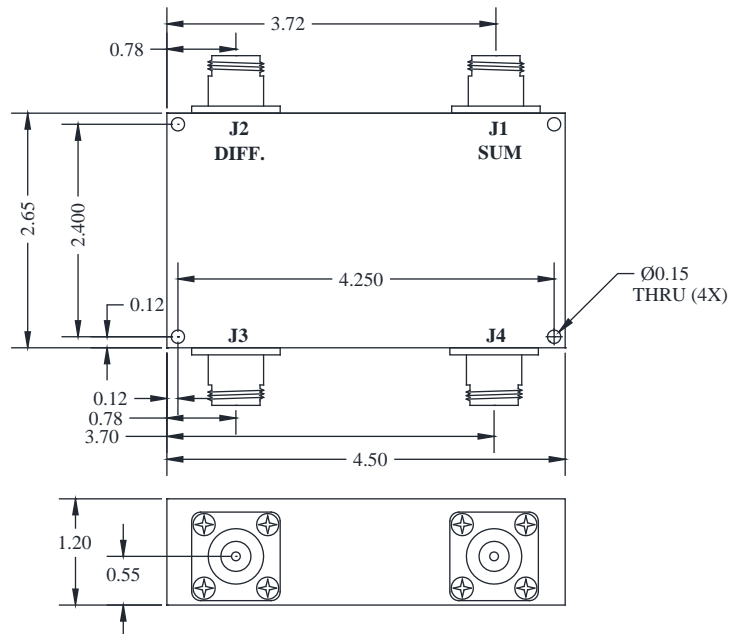
Phase Balance: 180° ± 5° Max.

Amplitude Balance: ± 0.3 dB Max.



- All specifications guaranteed.
- Test data provided with each unit shipped.
- Alternate connector configurations upon request.

Connector Configurations			
Model	J1 (Sumport)	J3,J4 (Inputs/Outputs)	J2 (Diff. Port)
H7877-10	N Female	N Female	N Female
H7877-12	N Female	SMA	SMA



**Subject to change without notice