



WERLATONE

SINCE 1965

Werlatone, Inc.
17 Jon Barrett Road
Patterson, New York 12563
T 845.278.2220
F 845.278.3440
www.werlatone.com

2-Way 90° Hybrid Coupler

Model QH8105

Frequency: 0.8-4.2 GHz

Power: 100 W CW

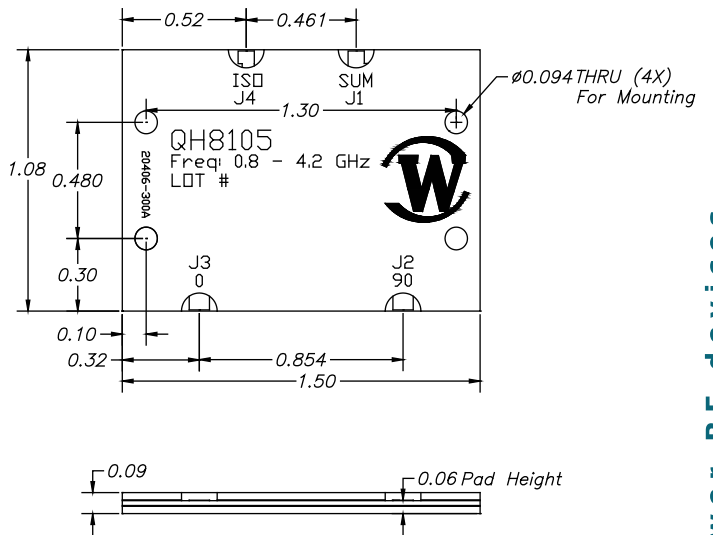
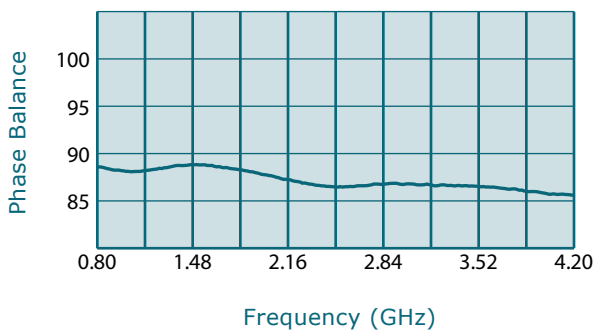
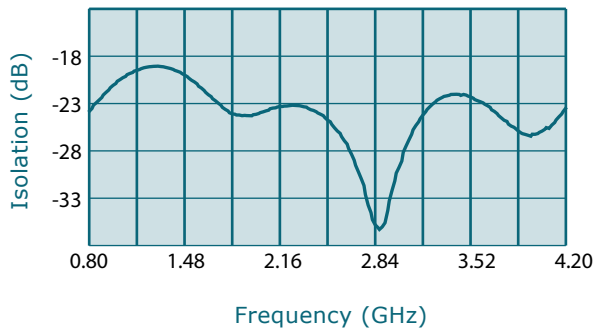
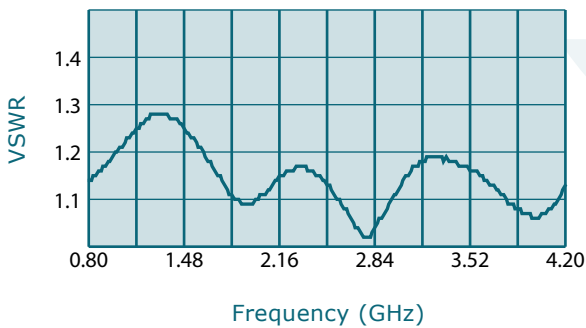
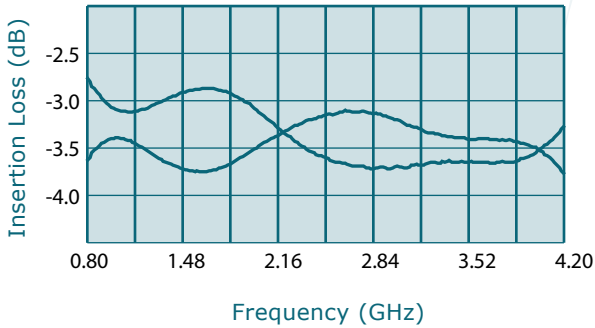
Insertion Loss: 0.55 dB Max.

VSWR: 1.35:1 Max.

Isolation: 18 dB Min.

Phase Balance: 90 +/- 5 Deg. Max.

Amplitude Balance: 3 dB +/- 0.5 dB Max.



high power RF devices

- All specifications guaranteed.
- Test data provided with each unit shipped.
- Completely bonded design. (No rivets/screws.)