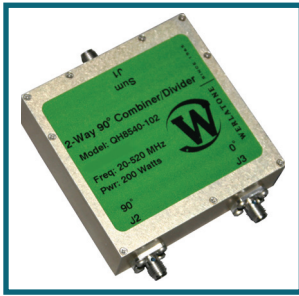




**WERLATONE**

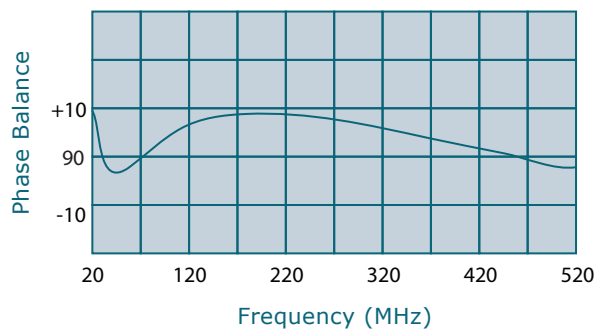
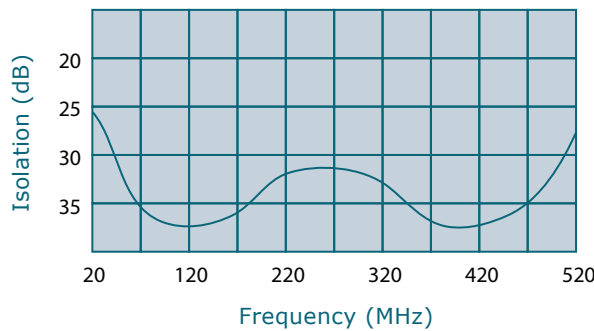
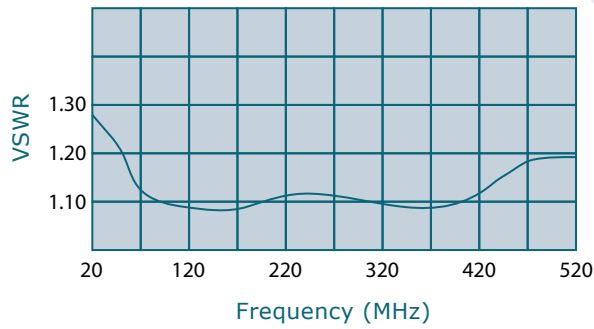
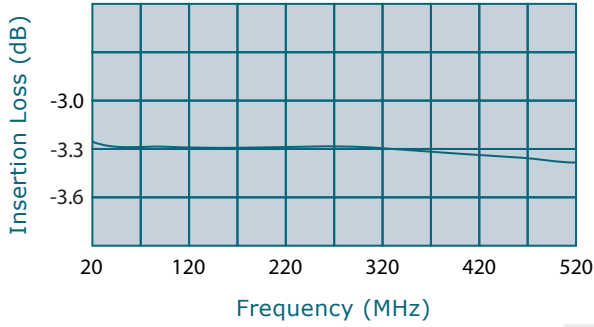
SINCE 1965

Werlatone, Inc.  
17 Jon Barrett Road  
Patterson, New York 12563  
T 845.278.2220  
F 845.278.3440  
www.werlatone.com



## 2-Way 90° Hybrid Coupler

### Model QH8540-102



Frequency: 20-520 MHz

Power: 250 W CW

Insertion Loss: 0.6 dB Max.

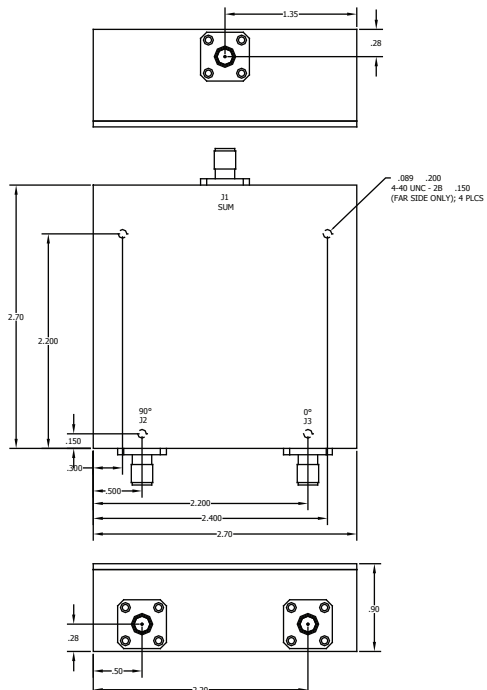
VSWR: 1.30:1 Max.

Isolation: 20 dB Min.

Phase Balance: 90° +/- 10° Max.

Amplitude Balance: 0.3 dB Max.

- All specifications guaranteed.
- Test data provided with each unit shipped.
- Internal termination will tolerate 30W unbalanced power.
- Available with SMA Connectors.
- Must be mounted on a heat spreader capable of maintaining a unit base plate temperature of 60 Deg C.



high power RF devices

\*\*Subject to change without notice