



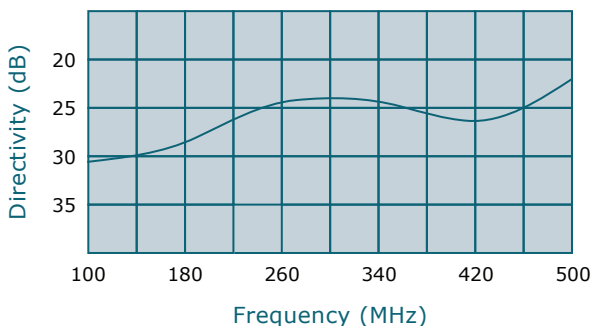
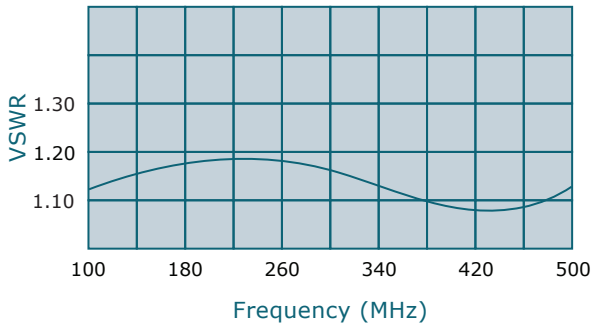
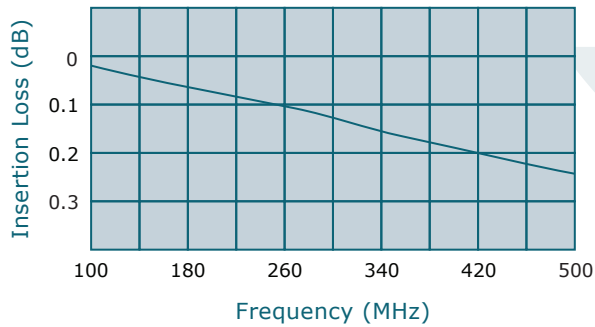
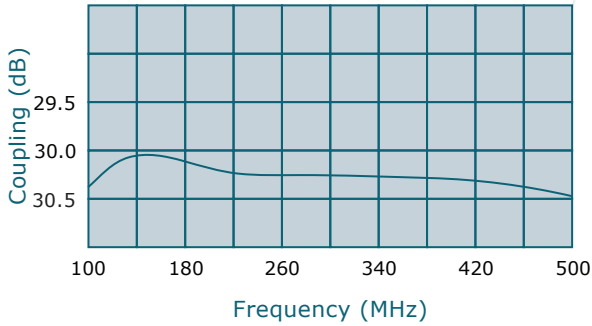
WERLATONE

SINCE 1965

Werlatone, Inc.  
17 Jon Barrett Road  
Patterson, New York 12563  
T 845.278.2220  
F 845.278.3440  
www.werlatone.com

# 30 dB Dual Directional Coupler

## Model C6137



Frequency: 100 - 500 MHz

Power: 50 W CW

Coupling: 30 dB ± 1.0 dB Nom.

Insertion Loss: 0.25 dB Max.

VSWR: 1.25:1 Max.

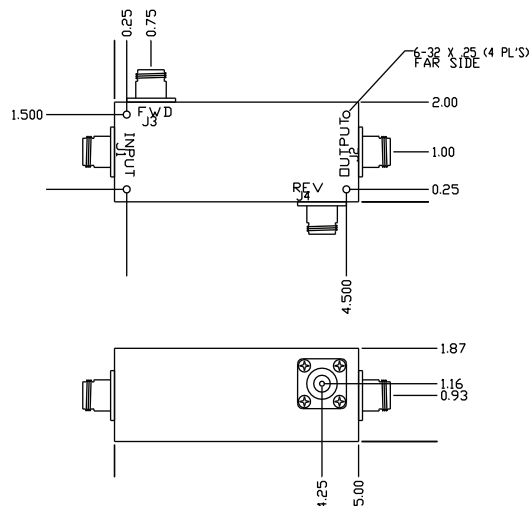
Flatness: +/-0.75 dB Max.

Directivity: 20 dB Min.

*\*Mismatch Tolerant® Design*

- All specifications guaranteed.
- Test data provided with each unit shipped.
- Uni-Directional version available.
- \* Designed to operate, at rated power into an infinite VSWR.

Connector Configurations		
Model	J1,J2 (Mainline)	J3,J4 (Coupled Port)
C6137-10	N Female	N Female
C6137-12	N Female	SMA
C6137-13	N Female	BNC
C6137-102	SMA	SMA



\*\*Subject to change without notice

high power RF devices