



WERLATONE

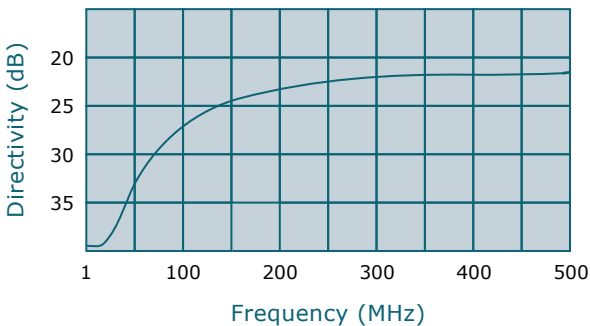
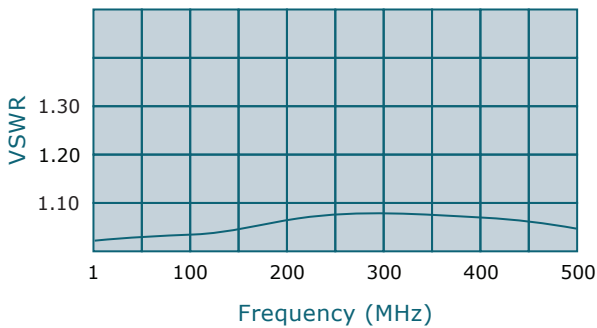
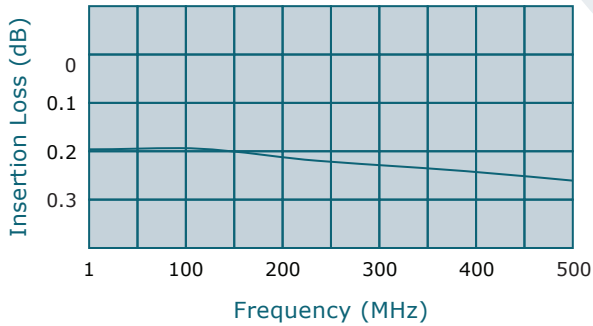
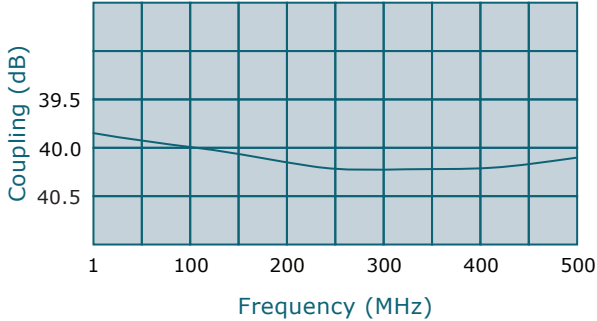
SINCE 1965

Werlatone, Inc.  
17 Jon Barrett Road  
Patterson, New York 12563  
T 845.278.2220  
F 845.278.3440  
www.werlatone.com



## 40 dB Dual Directional Coupler

### Model C5988



Frequency: 1-500 MHz

Power: 30 W CW

Coupling: 40 dB ± 1.0 dB Nom.

Insertion Loss: 0.4 dB Max.

VSWR: 1.20:1 Max.

Flatness: +/- 0.5 dB Max.

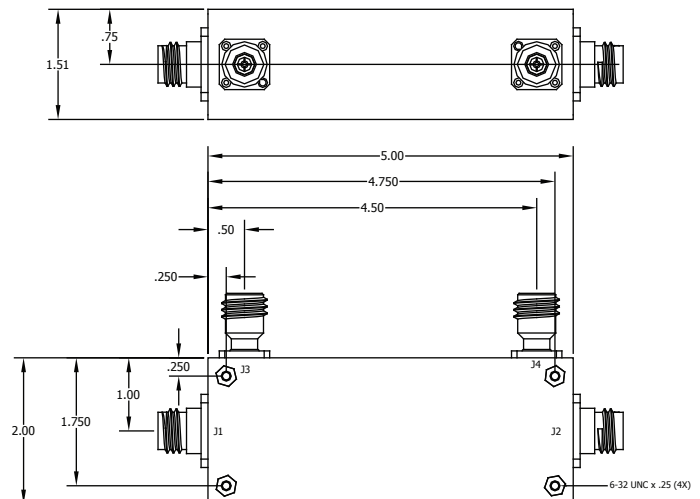
Directivity: 20 dB Min.

*\*Mismatch Tolerant®* Design

- All specifications guaranteed.
- Test data provided with each unit shipped.
- Uni-Directional version available.

\* Designed to operate, at rated power, into an infinite VSWR.

Connector Configurations		
Model	J1,J2 (Mainline)	J3,J4 (Coupled Port)
C5988-10	N Female	N Female
C5988-12	N Female	SMA
C5988-13	N Female	BNC
C5988-102	SMA	SMA



\*\*Subject to change without notice

high power RF devices