



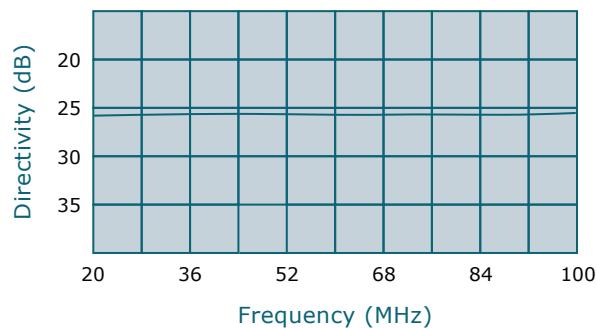
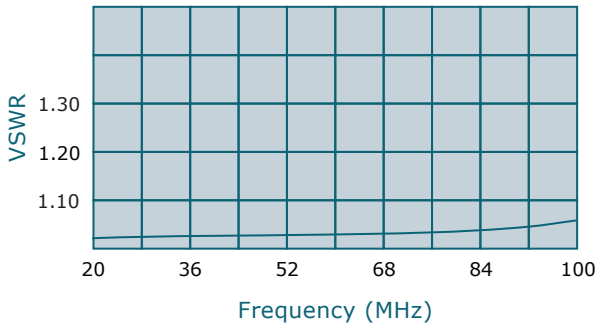
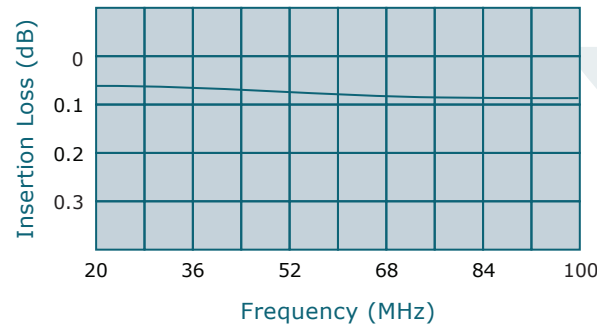
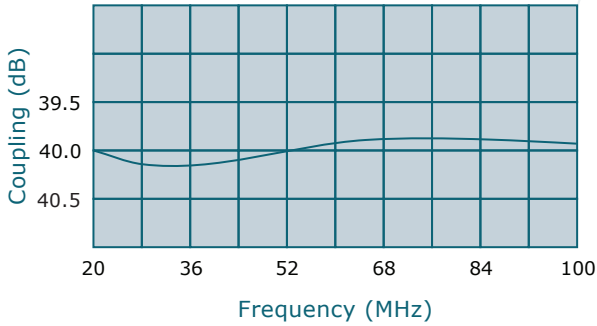
WERLATONE

SINCE 1965

Werlatone, Inc.
17 Jon Barrett Road
Patterson, New York 12563
T 845.278.2220
F 845.278.3440
www.werlatone.com

40 dB Dual Directional Coupler

Model C1848



Frequency: 20 - 100 MHz

Power: 1500 W CW

Coupling: 40 dB ± 1.0 dB Nom.

Insertion Loss: 0.1 dB Max.

VSWR: 1.15:1 Max.

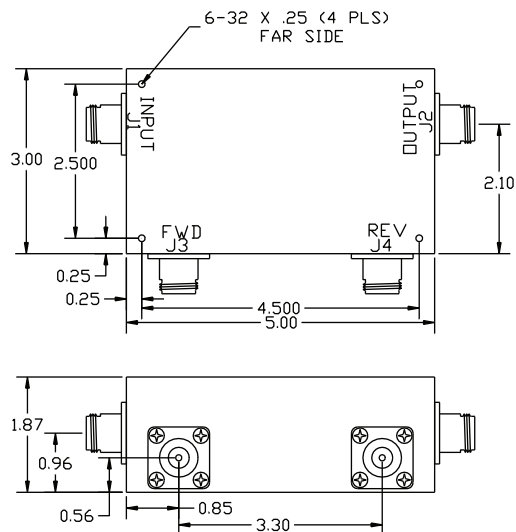
Flatness: +/-0.5 dB Max.

Directivity: 20 dB Min.

*Mismatch Tolerant® Design

- All specifications guaranteed.
- Test data provided with each unit shipped.
- Uni-Directional version available.
- * Designed to operate, at 500W CW into an infinite VSWR.

Connector Configurations		
Model	J1,J2 (Mainline)	J3,J4 (Coupled Port)
C1848-10	N Female	N Female
C1848-12	N Female	SMA
C1848-13	N Female	BNC
C1848-43	SC Female	SMA



**Subject to change without notice

high power RF devices