



WERLATONE

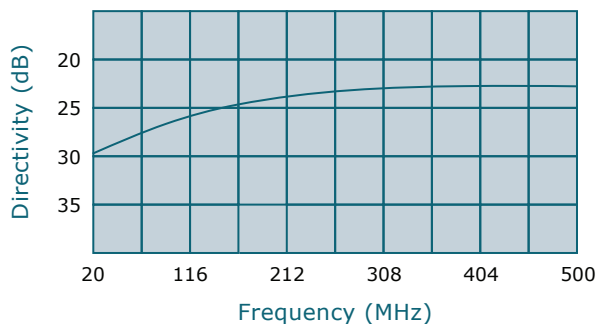
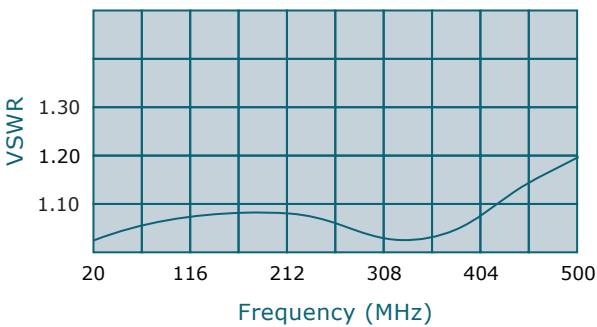
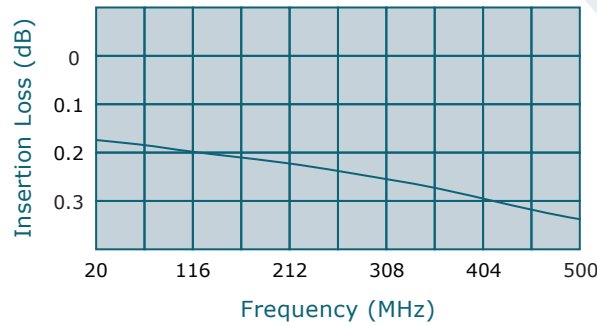
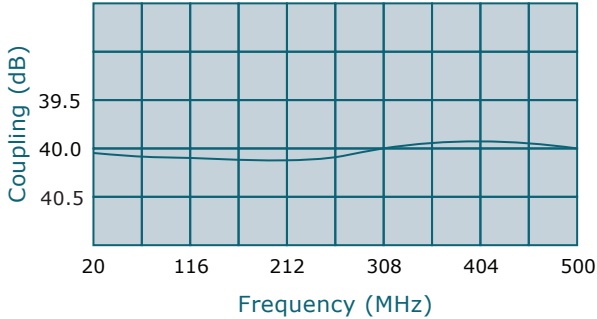
SINCE 1965

Werlatone, Inc.
17 Jon Barrett Road
Patterson, New York 12563
T 845.278.2220
F 845.278.3440
www.werlatone.com



40 dB Dual Directional Coupler

Model C3110



Frequency: 20 - 500 MHz

Power: 100 W CW

Coupling: 40 dB ± 1.0 dB Nom.

Insertion Loss: 0.35 dB Max.

VSWR: 1.30:1 Max.

Flatness: +/- 0.25 dB Max.

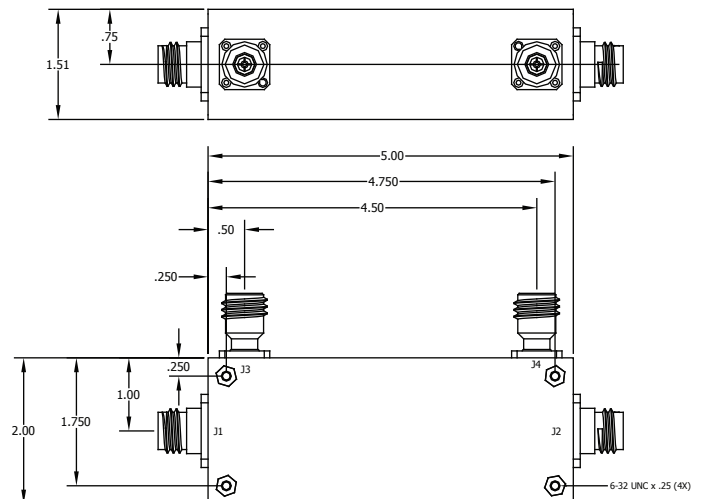
Directivity: 20 dB Min.

*Mismatch Tolerant® Design

- All specifications guaranteed.
- Test data provided with each unit shipped.
- Uni-Directional version available.

* Designed to operate, at rated power, into an infinite VSWR.

Connector Configurations		
Model	J1,J2 (Mainline)	J3,J4 (Coupled Port)
C3110-10	N Female	N Female
C3110-12	N Female	SMA
C3110-13	N Female	BNC
C3110-102	SMA	SMA



**Subject to change without notice

high power RF devices