



DECADES AHEAD[®]
high power RF devices

Werlatone[®], Inc.

17 Jon Barrett Road Patterson, New York 12563
T (845) 278 2220 www.werlatone.com
F (845) 278 3440 sales@werlatone.com



90° Hybrid Coupler
Model QH8859

Frequency: 80 - 1000 MHz

Power: 250 W CW
2 kW Peak

Insertion Loss: 0.65 dB Max.

VSWR: 1.40:1 Max.

Isolation: 16 dB Min. (Between Ports J2 & J3)
18 dB Min. (Between Ports J1 & J4)

Phase Balance: $\pm 5^\circ$ Max.

Amplitude Balance: ± 1.0 dB Max.

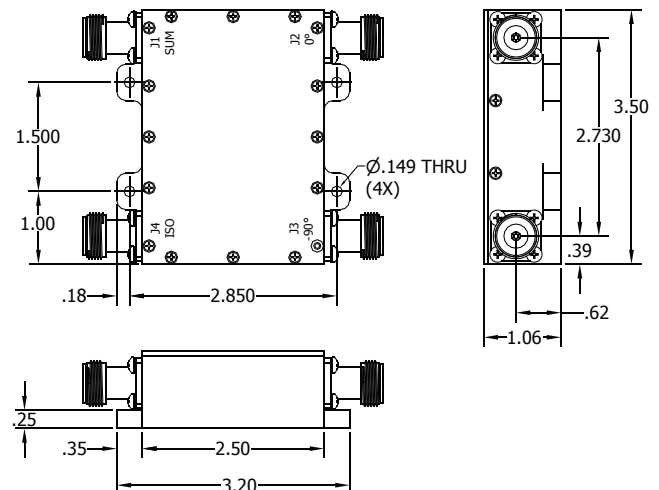
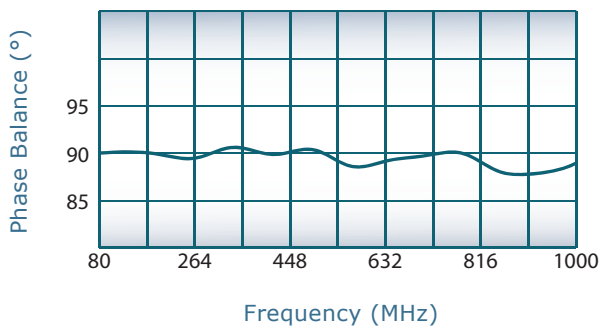
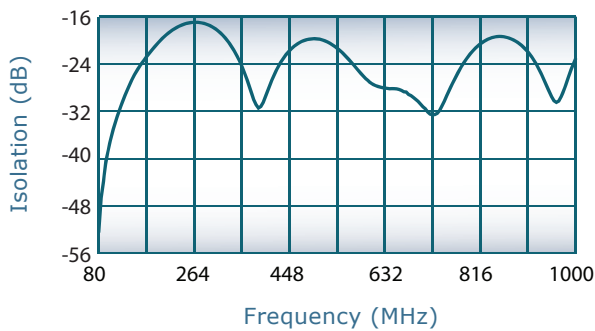
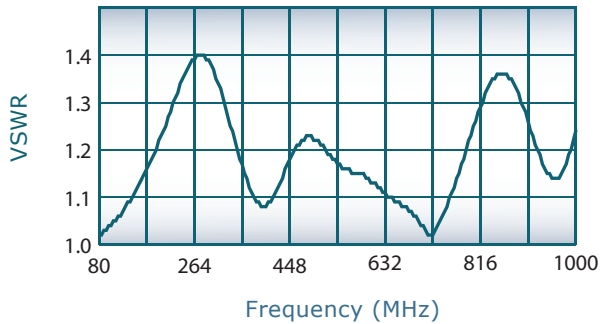
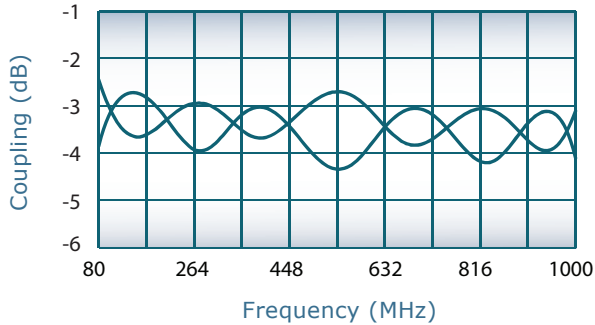
Notes

- All specifications guaranteed
- Test data provided with each unit shipped
- Alternate connector configurations upon request
- Weight: 13 Ounces
- Operating Temperature: -55°C to +75°C

[View Audiovisual Presentation](#)

Connector Configurations

Model	J1 (Sum Port)	J2,J3 (0°, 90°)	J4 (Diff Port)
QH8859-10	N Female	N Female	N Female
QH8859-12	N Female	SMA	SMA



Specifications subject to change without notice



Send Us Your Specs for Custom Designs