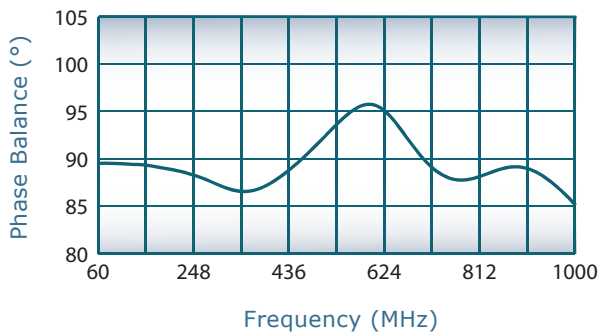
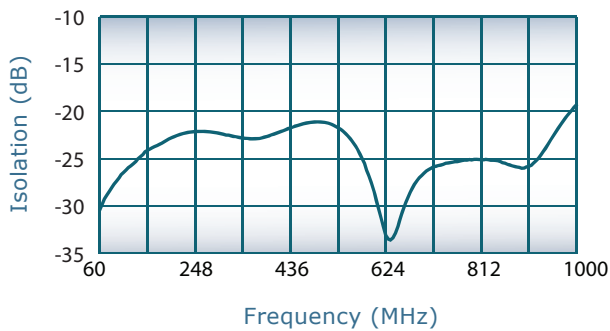
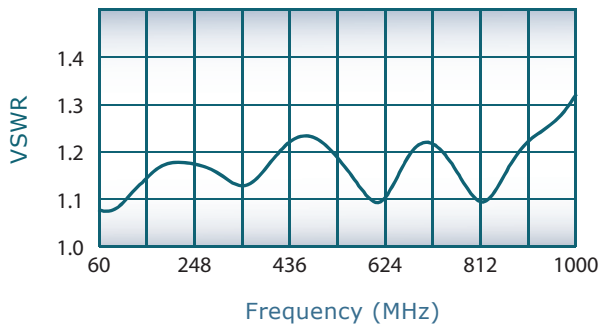
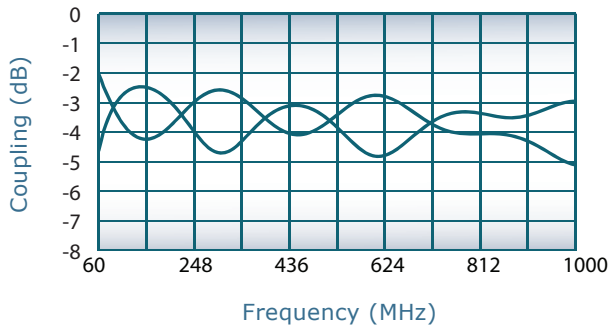




**DECADES AHEAD<sup>®</sup>**  
high power RF devices

**Werlatone<sup>®</sup>, Inc.**

17 Jon Barrett Road Patterson, New York 12563  
T (845) 278 2220      www.werlatone.com  
F (845) 278 3440      sales@werlatone.com



**90° Hybrid Coupler**

**Model QH9304**

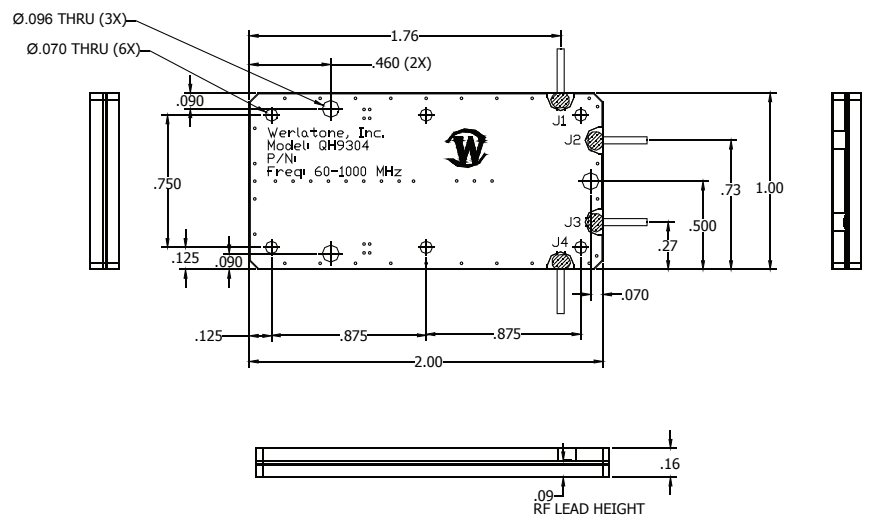
Frequency:	60 - 1000 MHz
Power:	150 W CW
Insertion Loss:	1.0 dB Max.
VSWR:	1.40:1 Max.
Isolation:	18 dB Min.
Phase Balance:	± 6° Max.
Amplitude Balance:	1.0 dB Max.

**Notes**

- All specifications guaranteed
- Test data provided with each unit shipped
- Supplied as a Drop-In Unit or with Tabs
- Top/Bottom Surface Finish: 0.002 Electrodeposited Copper with Surface Finish Options: QH9304-Ag: Immersion Silver (RoHS)  
QH9304-Au: ENIG (RoHS)  
QH9304-Pb: Electrodeposited Tin/Lead

**Port Configurations**

J1	J2	J3	J4
Input	-3 dB, 0°	-3 dB, -90°	Isolated
-3 dB, 0°	Input	Isolated	-3 dB, -90°
-3 dB, -90°	Isolated	Input	-3 dB, 0°
Isolated	-3 dB, -90°	-3 dB, 0°	Input



Specifications subject to change without notice



Send Us Your Specs for Custom Designs