

## PRODUCT DATA SHEET

C7008

**4-Port Dual Directional Coupler** employs two, 3-Port Uni-Directional Couplers, internally connected, in tandem, providing measurement of both forward and reverse power. Ideal for simultaneously monitoring a system's forward and reverse power and for reflectometer measurements. Unlike the Bi-Directional Coupler, the directivity of the Dual Directional Coupler is unaffected by the loads on the coupled ports.

### Features:

High Power      Wide Bandwidths      Small Size      Flat Coupling      Custom Designs Available

### Electrical Specifications:

Frequency: 20 - 180 MHz  
Power: 100 W CW  
Coupling: 10 ± 1.0 dB Max.  
Insertion Loss: 1.0 dB Max.  
Flatness: ± 0.5 dB Max.  
VSWR (ML): 1.25:1 Max.  
Directivity: 20 dB Min.

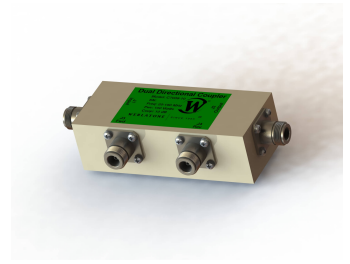
### Mechanical Specifications:

Type: Connectorized  
Material: Aluminum 6061-T6  
Surface Finish: Chem. Film Per MIL-DTL-5541F  
Type I Class 3 (Yellow Iridite)  
RoHS Compliant Available  
Operating Temperature: -55°C to +75°C  
Storage Temperature: -60°C to +85°C  
Humidity: 95% Non-Condensing  
Size: 5.0 x 2.0 x 1.5"

### Connector Configurations:

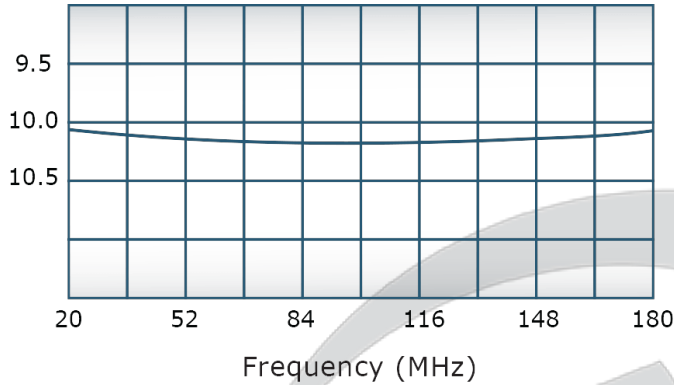
Model	Input (J1)	Output (J2)	Fwd (J3)	Rev (J4)
C7008-10	N Female	N Female	N Female	N Female
C7008-12	N Female	N Female	SMA	SMA
C7008-13	N Female	N Female	BNC	BNC
C7008-102	SMA	SMA	SMA	SMA

**Werlatone®** Broadband Dual, Uni, and Bi Directional RF Couplers are designed to tolerate the most stringent operating conditions associated with military and EMC testing environments. Many of our RF Directional Couplers, designated Mismatch Tolerant®, will operate continuously, at rated power, into a severe load mismatch condition. Our multi-octave Directional Couplers maintain exceptional coupling flatness, directivity, VSWR, and insertion loss.

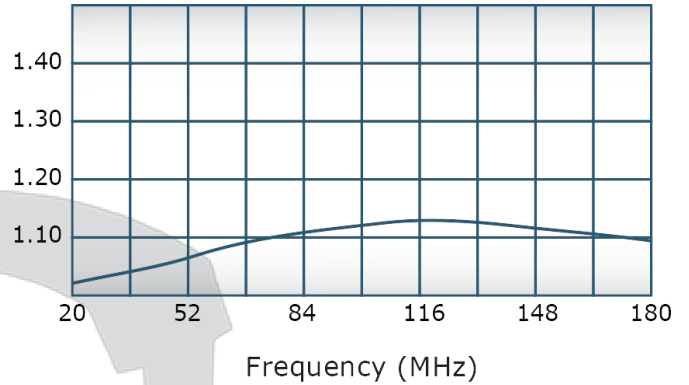


## Performance Data (Specifications subject to change without notice):

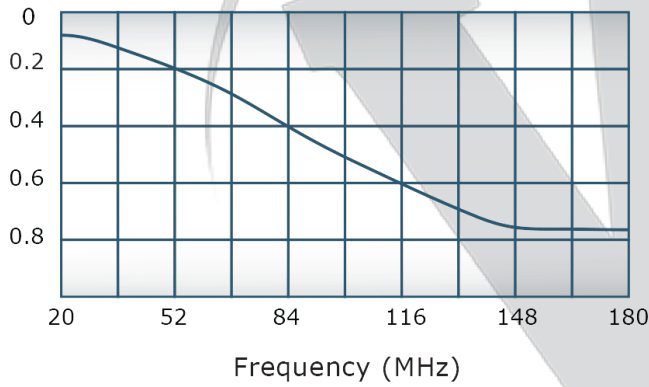
Coupling:



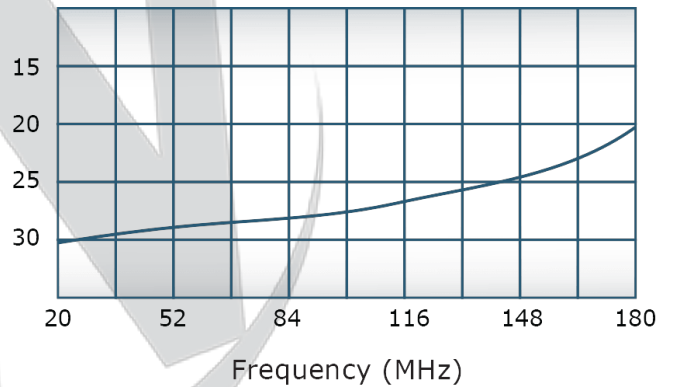
VSWR:



Insertion Loss:

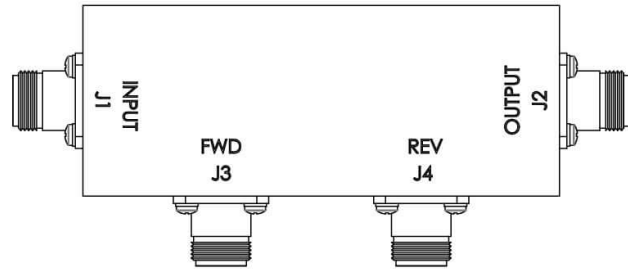


Directivity:



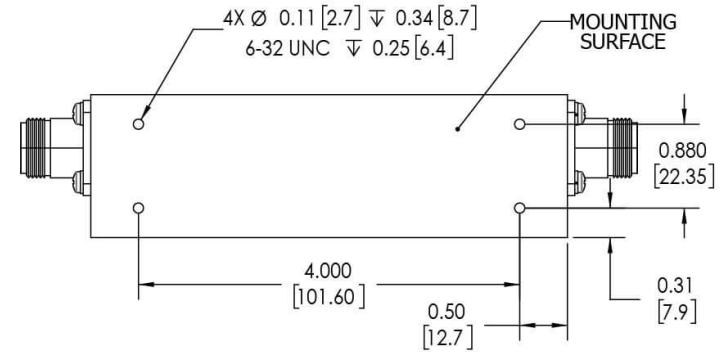
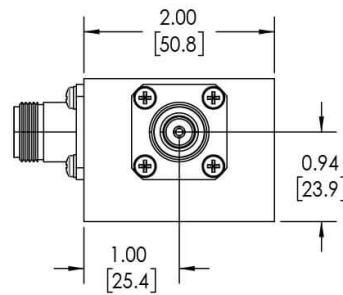
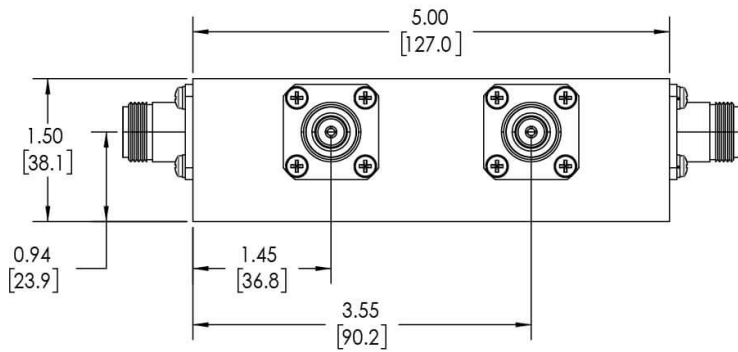
**RESTRICTION ON USE, DUPLICATION OR DISCLOSURE OF PROPRIETARY INFORMATION**  
 This document contains proprietary information which is the sole property of Werlatone, Inc.

REVISION HISTORY			
REV.	REVISION RECORD	DATE	APPROVED
A	ECN 9696	6/12/2019	RB



**NOTES: UNLESS OTHERWISE SPECIFIED**

- MATERIAL: ALUMINUM 6061-T6**
- FINISH: CHEM FILM PER MIL-DTL-5541F TYPE I CLASS 3 (YELLOW IRIDITE)**
- CONNECTORS: J1-J4: N FEMALE**



UNLESS OTHERWISE SPECIFIED		DWN	DATE	<b>WERLATONE</b> SINCE 1965	17 Jon Barrett Rd Patterson, NY 12563
INTERPRET DRAWING IN ACCORDANCE WITH MIL-STD-100 DIMENSIONS PER ASME Y14.5M-2009 PARENTHESES FOR REF ONLY DIMENSIONS ARE IN INCHES DIMENSIONAL LIMITS APPLY BEFORE PROCESSES		SD	6/12/2019		
TOLERANCES:		CHK	DATE	TITLE	
ANGLES ± 2°		CS	6/12/2019	OUTLINE	
3 PL ± .005 [1.3]		ENGR	DATE	SIZE	CAGE CODE
2 PL ± .015 [3.8]		INFR	DATE	B	10888-500
REMOVE ALL BURRS AND SHARP EDGES R.01 MAX		QA	DATE	DWG NO	REV
CONCENTRICITY MACHINED DIA: .002 FIM		RLSE	DATE	1:1.25	A
MACHINE TOOL MISMATCH .003 MAX.		APPLICATION		SHEET 1 OF 1	

Restriction on use, duplication, or disclosure of proprietary information. This document contains proprietary information which is the sole property of Werlatone, Inc.  
 Werlatone, Inc. 17 Jon Barrett Road Patterson, NY 12563 T:(845)278-2220 F:(845)278-3440 sales@werlatone.com www.werlatone.com