



PRODUCT DATA SHEET

H1484

Werlatone® High Power 180° RF Hybrid Combiners/Dividers balance traditional technologies with disruptive microwave techniques. The outcome is a microwave component which provides an order of magnitude improvement over current capabilities. Our newest line of high power, patented 180° RF Hybrid Combiners/Dividers provides an incredible 5:1 bandwidth, while exhibiting exceptionally low loss and superior port-to-port isolation.

Features:

High Power Wide Bandwidths Small Size Excellent Amplitude Balance

Electrical Specifications:

Frequency:	2 - 32 MHz
Power:	500 W CW
Insertion Loss:	0.2 dB Max.
VSWR:	1.30:1 Max.
Phase Balance:	180° ± 3° Max.
Amplitude Balance:	± 0.1 dB Max.
Isolation:	25 dB Min.

Mechanical Specifications:

Type:	Connectorized
Material:	Aluminum 6061-T6
Surface Finish:	Chem. Film Per MIL-DTL-5541F Type I Class 3 (Yellow Iridite) RoHS Compliant Available
Operating Temperature:	-55°C to +75°C
Storage Temperature:	-60°C to +85°C
Weight:	1.625 lbs.
Size:	5.0 x 3.0 x 2.25"

Connector Configurations:

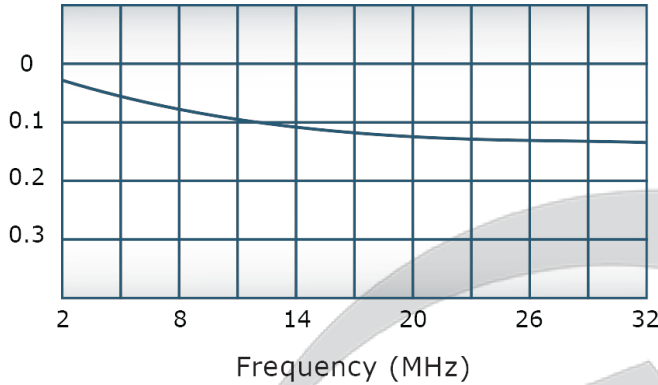
Model	Sum Port (J4)	Diff. Port (J2)	Inputs (J3, J4)
H2979-10	N Female	N Female	N Female
H2979-12	N Female	SMA	SMA
H2979-13	N Female	BNC	BNC
H2979-102	SMA	SMA	SMA

Werlatone's standard line of High Power 180° RF Hybrid Combiners/Dividers covers multiple octaves within a microwave device. Low frequency 180° Hybrid Combiner/Dividers employ proprietary ferrite transmission line techniques, similar to our 0° Combiners/Dividers. Insertion loss in both sum and difference ports is minimal, allowing the hybrid to handle high power over its frequency range. Custom requirements are welcome.

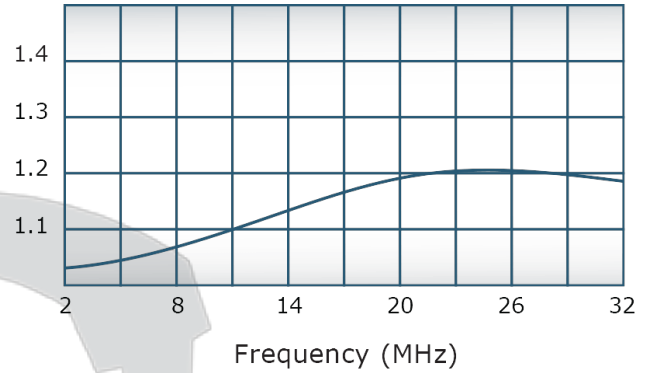


Performance Data (Specifications subject to change without notice):

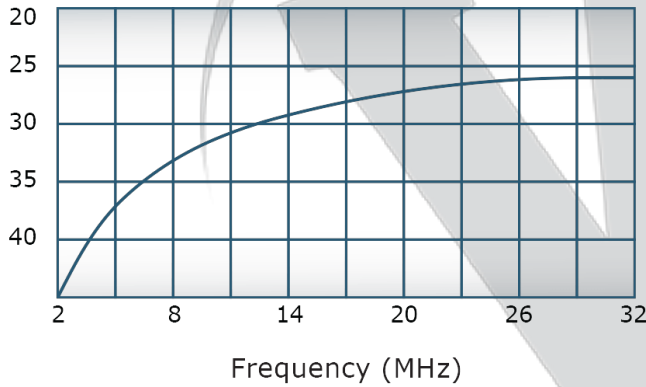
Insertion Loss:



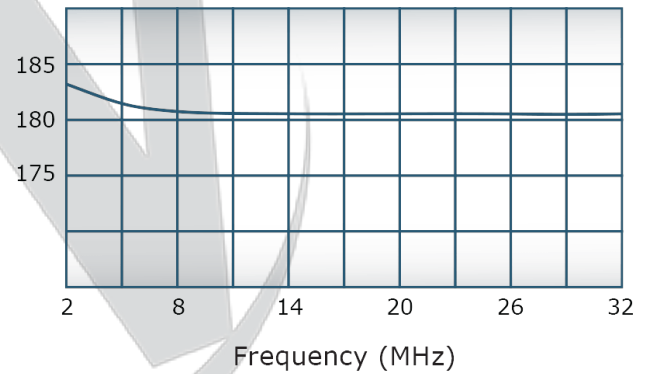
VSWR:



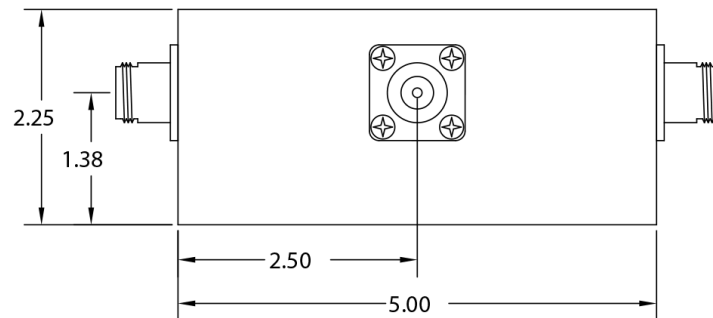
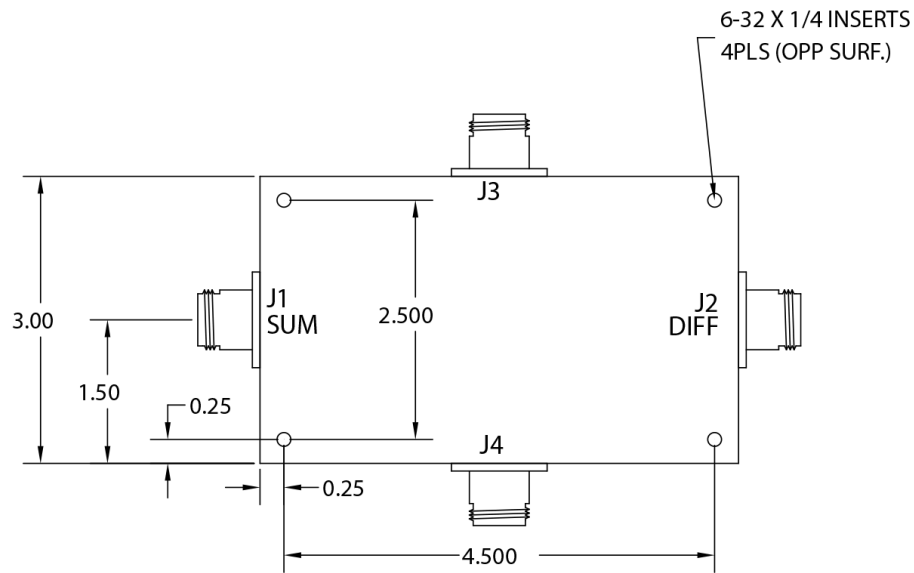
Isolation:



Phase Balance:



DATE	SYM	REVISION RECORD	AUTH	DR	CK
7/92	-	INITIAL	DK		
7/92	REV.A	ECN:1185	DK		
6/14	REV.B	ECN8668	CS	PP	CS



THIS DRAWING CONTAINS INFORMATION
PROPRIETARY TO WERLATONE INC. AND
MAY NOT BE USED OR COPIED WITHOUT
THE WRITTEN CONSENT OF WERLATONE INC.

TOLERANCE	WERLATONE INC.			
XX +/- .015 XXX +/- .005	USED ON:	SCALE	DRAWN BY: RH	APPVD BY:
	TITLE OUTLINE			
	DATE 12/22/03	DRAWING NUMBER 10009-500		

Restriction on use, duplication, or disclosure of proprietary information. This document contains proprietary information which is the sole property of Werlatone, Inc.
Werlatone, Inc. 17 Jon Barrett Road Patterson, NY 12563 T:(845)278-2220 F:(845)278-3440 sales@werlatone.com www.werlatone.com